



JUMBO S2160/2

Awning for large areas with telescopic arms and motor

S2160/2



	min. 395 cm max. 1800 cm		min. 350 cm max. 500 cm
---	-----------------------------	---	----------------------------

	5°–22°
---	--------

Minimal width for a given projection

projection	Minimal width 2 arms	4 arms
400 cm	400 cm	550 cm
500 cm	500 cm	625 cm

Description

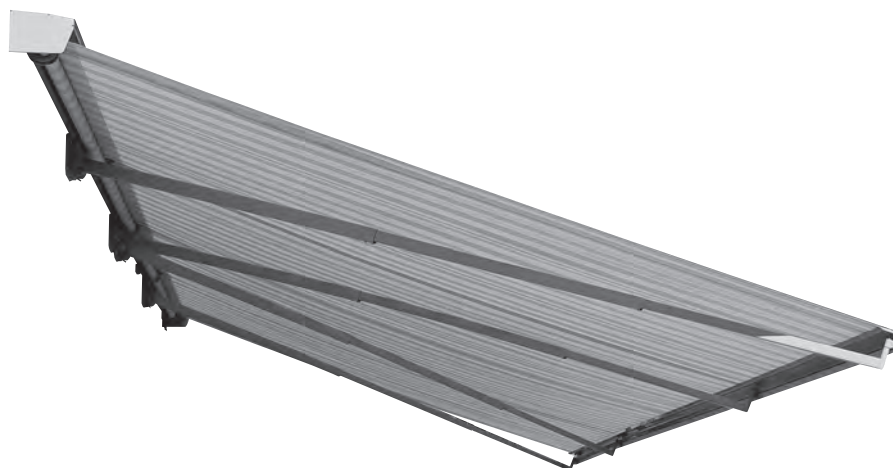
Telescope arm awning for large areas with motor drive. Fabric cover. Retraction and extension with tubular AC motor 230 V/50 Hz friction brake and electronic end stop position. Thermal protection. Protection class IP54 (splash water), with 50–150 cm 4-pole connection cable. Awning with square steel mounting bar, to hold the roller tube with self aligning bearings for motor bearing and opposed bearing, roller tube support, clamp and brackets for wall or top fixing. Separate wall bracket with adjustable arm bracket for the telescope arms and the mounting bar. Roller tube made of galvanised steel with groove for the cover fixation. Self aligning gearbox with roller tube supports made of aluminium casting, plastic rolls and continuous roller tube band on the mounting bar for parallel guidance of the roller tube. Telescope arms in 4 parts with interior gas-filled struts, telescope arm swivel mechanism made of aluminium casting, with integrated knock-up security and adjustment screws for precise fall adjustment. Front rail made of extruded multiple chamber aluminium profile in L-shape with half round formed mat geometry. With grooves for the cover and the valance, with fixation groove for the telescope arms, nose for the smooth entry on the roller tube support. Lateral end caps.

For wall fixing additional bracket S221/3 to be used.
For top fixing additional bracket S221/1 to be used.

Important: According to the disposition of the arm positions a base plate with intermediate bearing or one of the above mentioned additional brackets must be installed near the roller tube support. Arms above cover not possible. Base plates with integrated intermediate bearing are fixed to the wall or with a special fixation S346 under the ceiling. They hold the mounting bar, on which are fixed the roller tube, roller tube support and top board. This system avoids a separate fixation of the individual components directly on the wall. The roller tube is equipped with a self-aligning bearing system which ensures tightness of the cover over the complete width of the awning. This construction grants perfect function on retraction and extension of the awning for large areas.

METHOD OF DELIVERY

Awnings assembled as far as possible, arms and ground plate with integrated intermediate bearing separately. Cover on roller tube and front rail. Awnings of more than 900 cm width are prepared with link profiles.

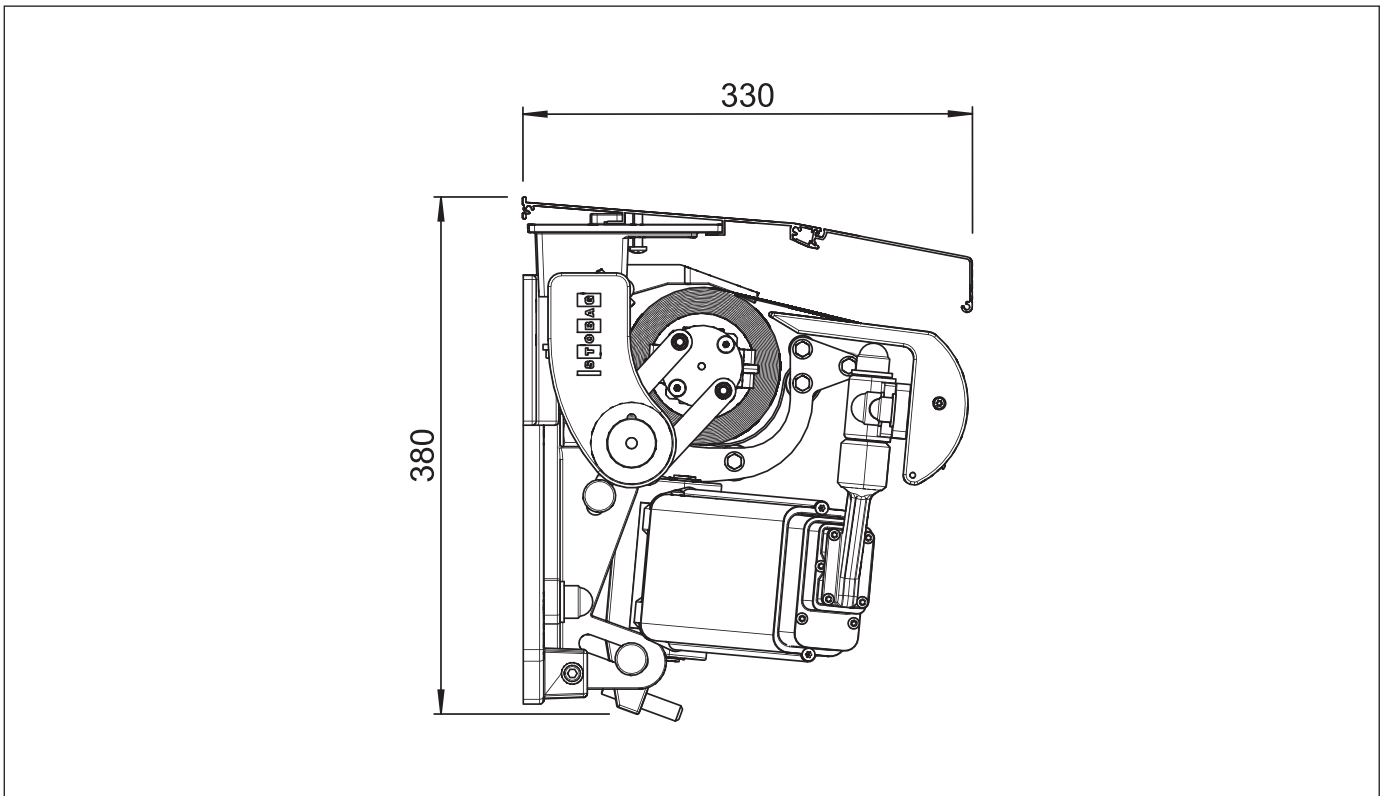


JUMBO S2160/2

Awning for large areas with telescopic arms and motor

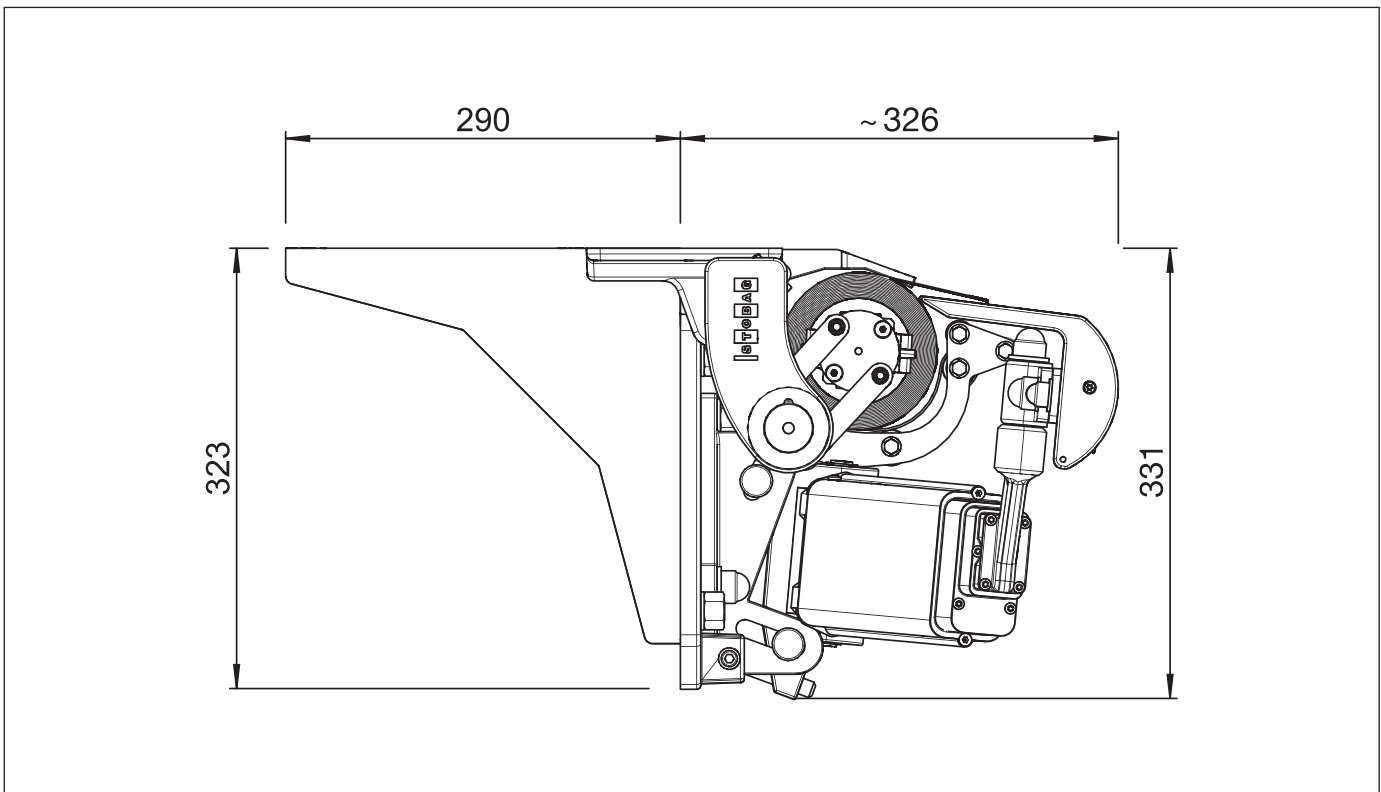
S2160/2

Wall fixing



S2160/2

Top fixing

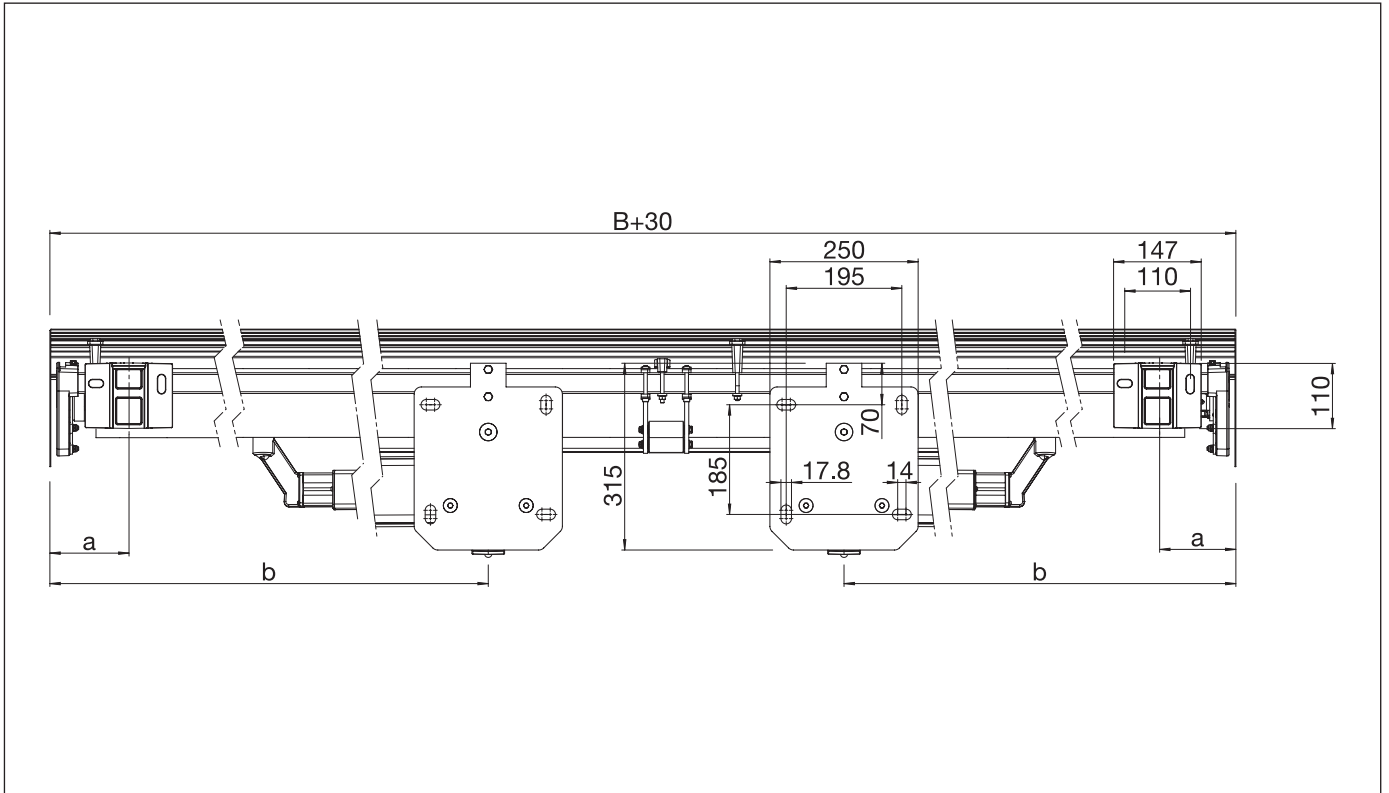


JUMBO S2160/2

Awning for large areas with telescopic arms and motor

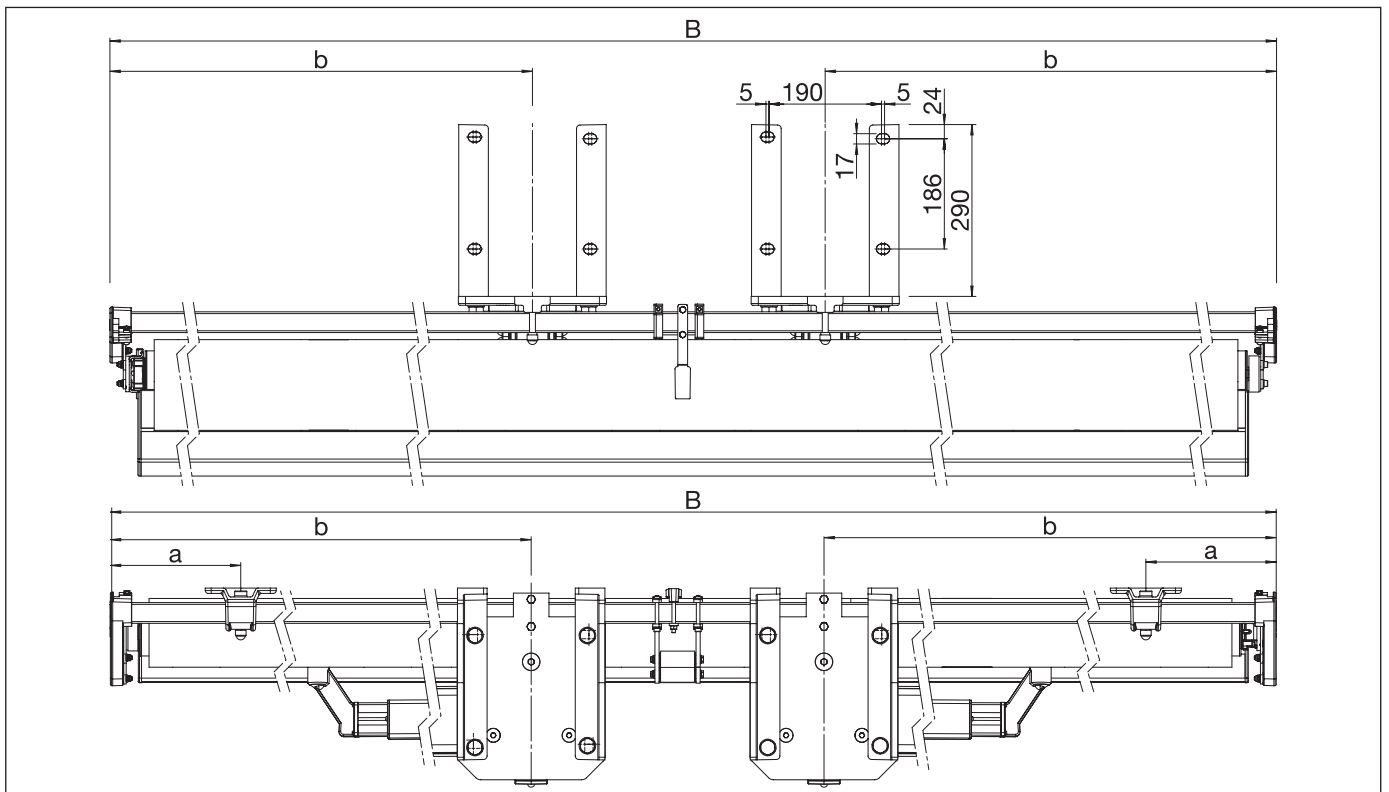
S2160/2

Installation drawing wall fixing



S2160/2

Installation drawing top fixing

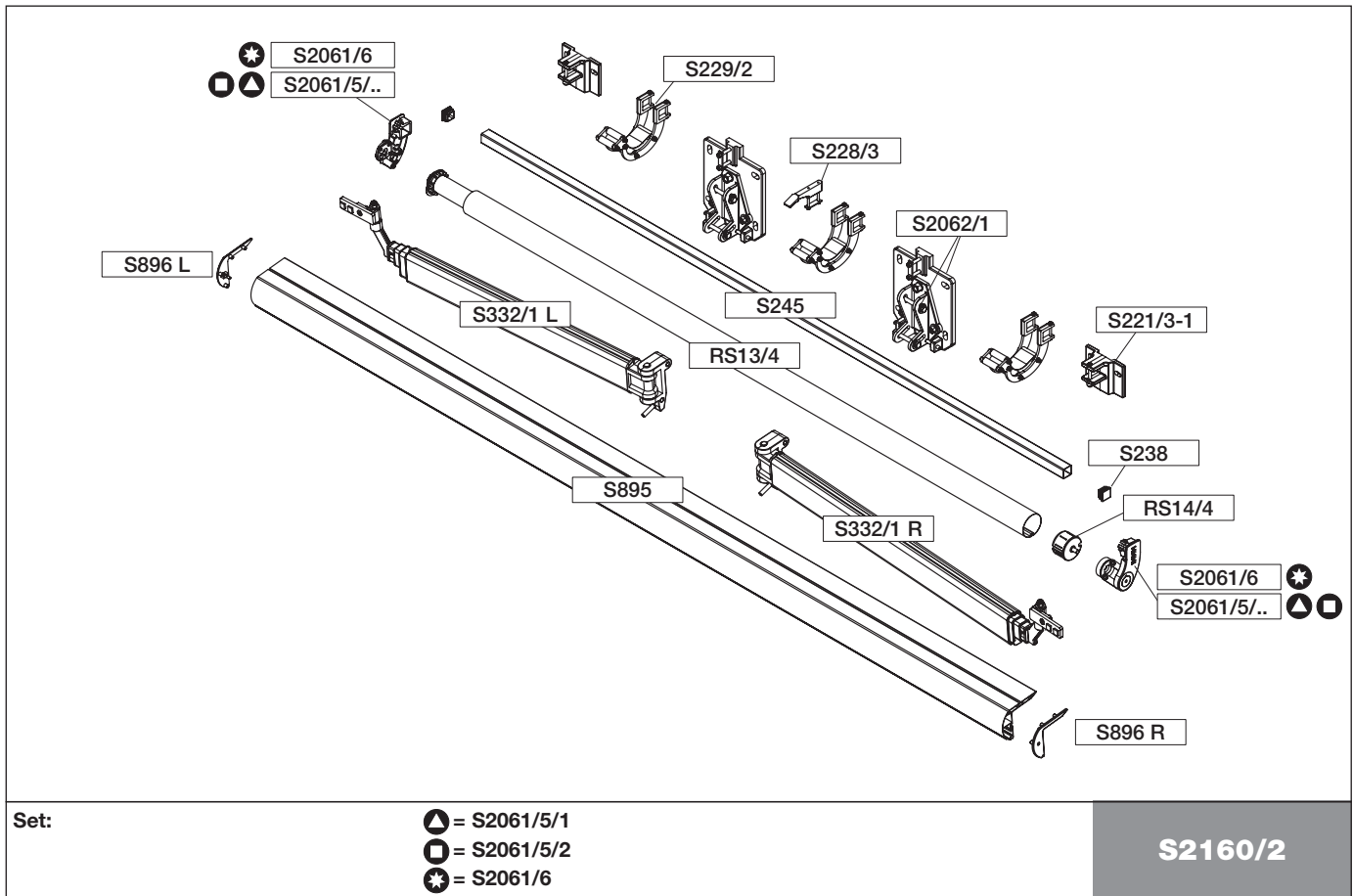


JUMBO S2160/2

Awning for large areas with telescopic arms and motor

S2160/2

Exploded view



JUMBO S2160/2

Awning for large areas with telescopic arms and motor

S8160/2

Telescope arms, incl. front rail fixation

S332/1	400 cm	pair
	500 cm	pair

Intermediate sizes are determined by the end stop

Ceiling support for ground plate

S346 for S340		pair
---------------	--	------

Fixing bracket

S221/1	for top fixing	pc.
S221/3-1	for wall fixing	pc.

S221/1/1	Distance plate for S221/1	pc.
----------	---------------------------	-----

Tubular motors

Motor drive E / E STAS/STAK 3		pc.
Motor drive E radio / E radio STAS/STAK 4		

Mounting bar 35x35mm

S245	4.00 m	pc.
	4.50 m	pc.
	5.00 m	pc.
	5.50 m	pc.
	6.00 m	pc.
	6.50 m	pc.
	7.00 m	pc.

Link profile

S254/1 for S245	50 cm	pc.
S254/2 for S245	600 cm	pc.

Gudgeon for mounting bar

S238 for S245		pc.
---------------	--	-----

Roller tube galvanised

RS13/4 78 x 1.00 mm	4.00 m	pc.
	5.00 m	pc.
	5.50 m	pc.
	6.00 m	pc.
	6.50 m	pc.
RS13/7 85 x 1.00 mm	7.00 m	pc.
	5.00 m	pc.
	6.00 m	pc.
	7.00 m	pc.

Link sleeve

RS16/3 for roller tube 78 mm		pc.
------------------------------	--	-----

Roller tube gudgeon, round

RS14/4 78 mm Plastic without board		pc.
RS14/4/2 78 mm Plastic with board		pc.
RS14/7 85 mm Plastic without board		pc.
RS14/7/2 85 mm Plastic with board		pc.

Roller tube support

S229/2		pc.
--------	--	-----

Components list

Clamp

S228/3		pc.
--------	--	-----

Front rail

S895	4.00 m	pc.
	5.00 m	pc.
	6.00 m	pc.
	7.00 m	pc.

Link profile

S897 for S895	60 cm	pc.
---------------	-------	-----

End cap

S896 for S895		pair
---------------	--	------

Top board

S247/3	6.02 m	pc.
	7.02 m	pc.

Link for top board

S250/3 for S247/3		
-------------------	--	--

Side piece

S248/3 for S247/3		pc.
-------------------	--	-----



Top board fixation

S249/4 for S247/3		pc.
-------------------	--	-----


Jumbo set

S2062/1	consisting of:	pc.
	1 base plate S340	
	1 intermediate bearing S341	
	1 set of screws	

Hinged bearing set

S2061/5/1	consisting of:	pc.
	1 motor bearing left	
	1 opposed bearing right	
S2061/5/2	consisting of:	pc.
	1 motor bearing right	
	1 opposed bearing left	

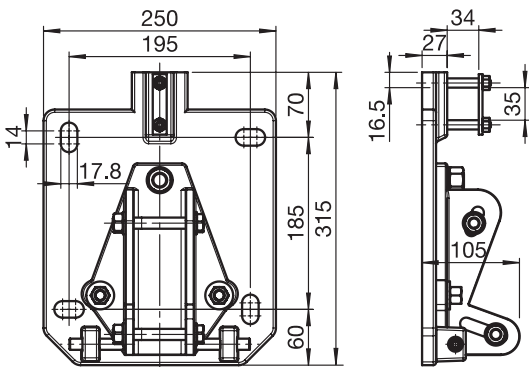
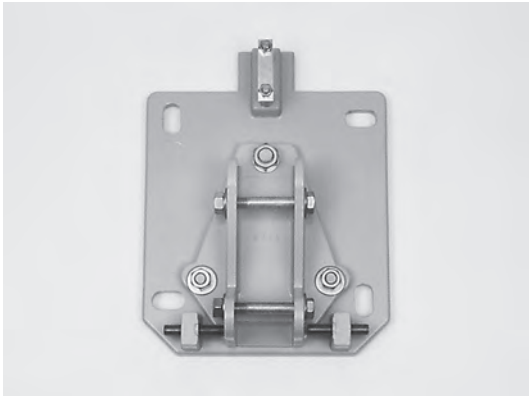
Tandem hinged bearing set

S2061/6	consisting of:	pc.
	2 motor bearings	

JUMBO S2160/2

Awning for large areas with telescopic arms and motor

S2062/1



Jumbo kit

This set (without gearbox bearing and opposed bearing) is used to hold additional arms (wall or top fixing). The arms are fixed on the intermediate bearing. Horizontal adjustment by moving the intermediate plate sideways on the ground plate with M12 pins.

MATERIAL

Base plates with intermediate bearing: S340 / S341 aluminium alloy casting
Screws: stainless steel

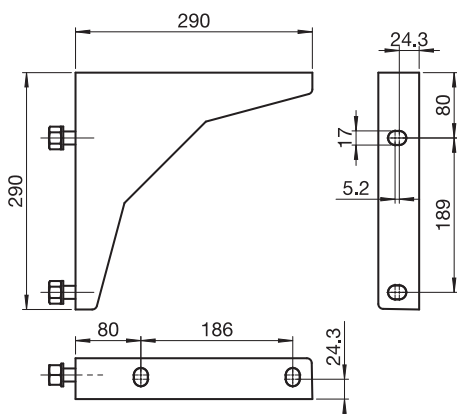
DELIVERY

1 base plate S340 with integrated intermediate bearing S341
1 set of screws

PACKAGING UNIT

Set

S346



Ceiling fixation (top fixing)

This fixation is used for top fixing. Base plate S340 with intermediate bearing S341 is to be screwed on from front.

ENGINEERING DATA

Screws for base plate installation M16 x 45 mm

MATERIAL

Fixation: aluminium alloy casting
Screws: stainless steel

DELIVERY

1 pair with set of screws

PACKAGING UNIT

Pair

JUMBO S2160/2

Awning for large areas with telescopic arms and motor

S2061/5/..



S2061/5/1



S2061/5/2

S2061/6



Hinged bearing set

This kit serves as the basis set for building-in an electric drive.

MATERIAL

Aluminium alloy casting

Screws: stainless steel

DELIVERY

1 motor bearing left or right

1 opposed bearing left or right

PACKAGING UNIT

Set

Tandem hinged bearing set

This kit serves as the basis set for building-in an electric drive.

MATERIAL

Aluminium alloy casting

Plastic

DELIVERY

2 motor bearings

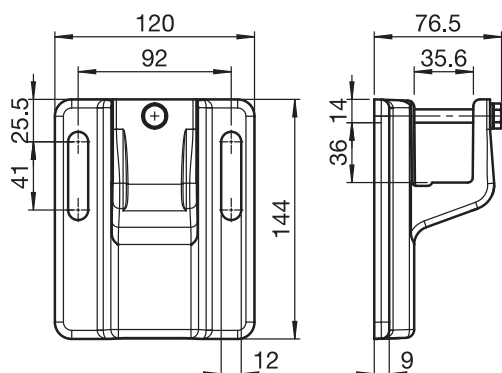
PACKAGING UNIT

Set

JUMBO S2160/2

Awning for large areas with telescopic arms and motor

S221/1



Fixing bracket

These brackets can be used on the Jumbo S2160/2. For top fixing only.

ENGINEERING DATA

Jumbo S2160 for top fixing only

MATERIAL

Aluminium alloy casting

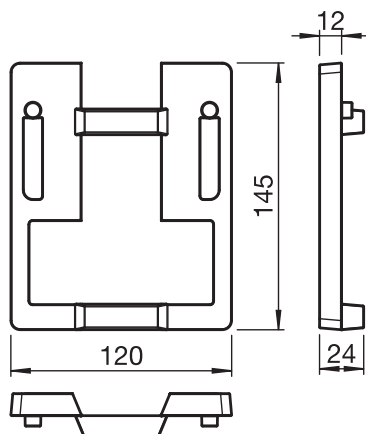
Screws

stainless steel

PACKAGING UNIT

Piece

S221/1/1



Distance plate for S221/1

These distance plates are to be used with the brackets S221/1. They can be added on top of each other according to the thickness of the insulation, together with the brackets.

MATERIAL

Aluminium alloy casting

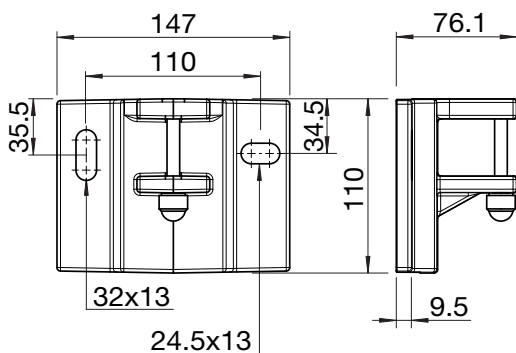
PACKAGING

Piece

JUMBO S2160/2

Awning for large areas with telescopic arms and motor

S221/3-1



Fixing bracket

This bracket can be used on the JUMBO S2160/2. For wall fixing only.

ENGINEERING DATA

JUMBO S2160 for wall fixing only

MATERIAL

Aluminium alloy casting

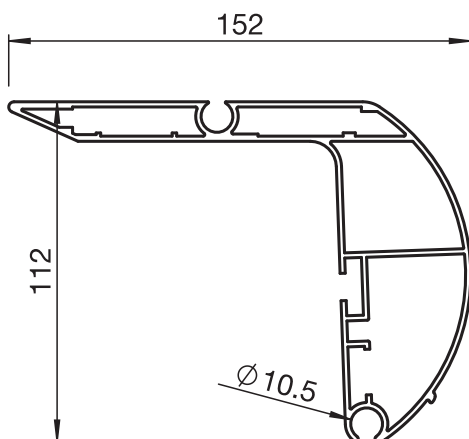
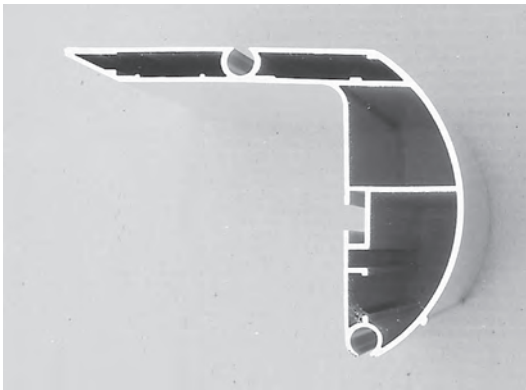
Screws

stainless steel

PACKAGING UNIT

Piece

S895



Front rail

This front rails are for the awnings type JUMBO S2160/2.

ENGINEERING DATA

Standard lengths:

400, 500, 600, 700 cm

MATERIAL

Extruded aluminium profiles

PACKAGING UNIT

Piece

JUMBO S2160/2

Awning for large areas with telescopic arms and motor

S896



End caps

Lateral end caps made of aluminium casting for the front rail S895. The end caps are fixed with stainless steel sheet metal screws.

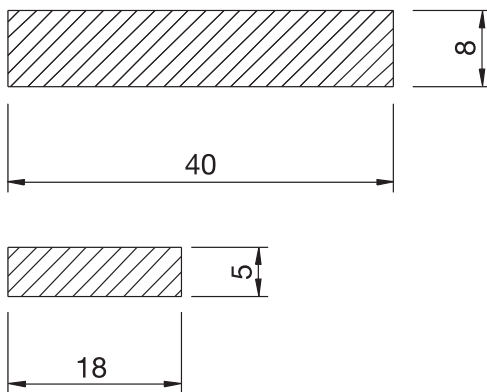
MATERIAL

Aluminium alloy casting

PACKAGING UNIT

Pair

S897



Link profile to link the front rail S895

The link profiles are to be inserted into the front rail S895 and riveted. They are necessary when the width of the awnings is more than 700 cm and two front rails S895 have to be linked.

MATERIAL

2 Aluminium flat profile (40 x 8 x 600 mm)
1 Aluminium flat profile (18 x 5 x 600 mm)

PACKAGING

Set

JUMBO S2160/2

Awning for large areas with telescopic arms and motor

S229/2



Roller tube supports

These roller tube supports are for the type JUMBO S2160/2 only. On telescope arm awnings of more than 400 cm width (folding arm awnings of more than 500 cm width) a roller tube support is needed, due to the high cover tension with telescopic arms.

These roller tube supports with roller tube band don't make any friction on the cover seam and allow an awning width up to 18 m.

ENGINEERING DATA

Max. incline of 22°

For roller tubes \varnothing 78mm

Width of band 58mm

Replacement band: S229/8

MATERIALIEN

Aluminium alloy casting:

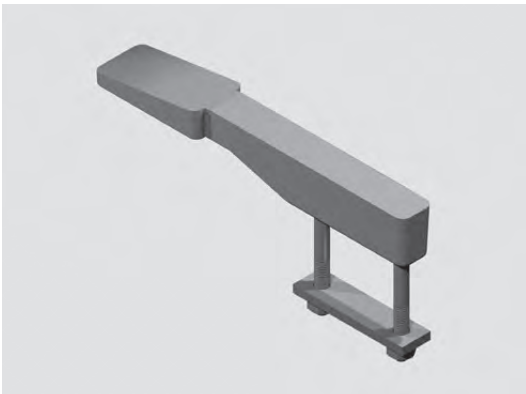
Rolls and roller tube band: plastic (rolls with ball bearing)

Screws: stainless steel

PACKAGING UNIT

Piece

S228/3



Clamp for Jumbo S2160/2

This clamp can only be used with the type JUMBO S2160/2. Installation between the roller tube supports. It prevents the roller tube to fall out of the support. Always to be used on awnings with 4 arms.

MATERIAL

Aluminium alloy casting

Screws: stainless steel

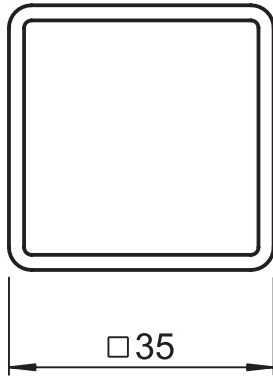
PACKAGING UNIT

Piece

JUMBO S2160/2

Awning for large areas with telescopic arms and motor

S245



Mounting bar

Mounting bar for the JUMBO S2160/2

ENGINEERING DATA

Standard lengths: 400, 450, 500, 550, 600, 650, 700 cm

MATERIAL

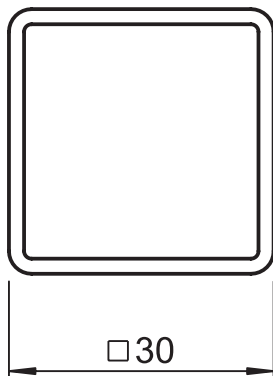
Square mounting bar skin passed, powder coated, pre-treatment galvanised

PACKAGING UNIT

Piece

S254/1

S254/2



Link profile to link the mounting bar S245

The link profile is to be inserted and riveted into the square mounting bar S245. It is necessary if the width of the awning is more than 700 cm and two mounting bars S245 need to be linked.

ENGINEERING DATA

S254/1: shortened to 50 cm
S254/2: standard length 600 cm

MATERIAL

Square steel tube galvanised

COLOR

Galvanised

PACKAGING UNIT

Piece

JUMBO S2160/2

Awning for large areas with telescopic arms and motor

S238



Gudgeon for mounting bar

Gudgeon for mounting bar S245

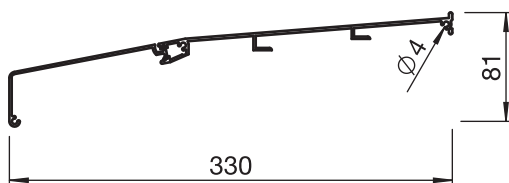
MATERIAL

Plastic

PACKAGING UNIT

Piece

S247/3



Top board

This aluminium top board for awnings is specially made for the JUMBO S2160/2

ENGINEERING DATA

Standard lengths: 602, 702 cm

MATERIAL

Extruded aluminium profile

PACKAGING

Piece

JUMBO S2160/2

Awning for large areas with telescopic arms and motor

S250/3



Link for top board

These abutting sheets link the top board S247/3.

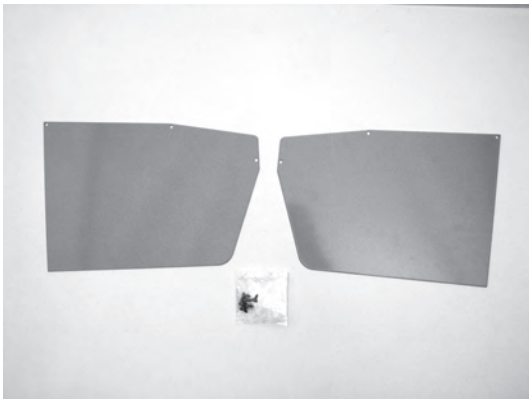
MATERIAL

Aluminium folded profiles

PACKAGING UNIT

Piece

S248/3



Side frames for top board

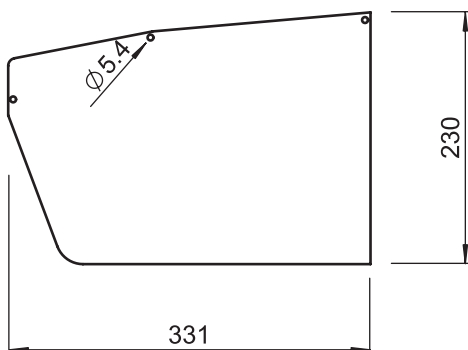
Side piece for the top board S247/3.

MATERIAL

Aluminium sheet 1.5 mm

PACKAGING UNIT

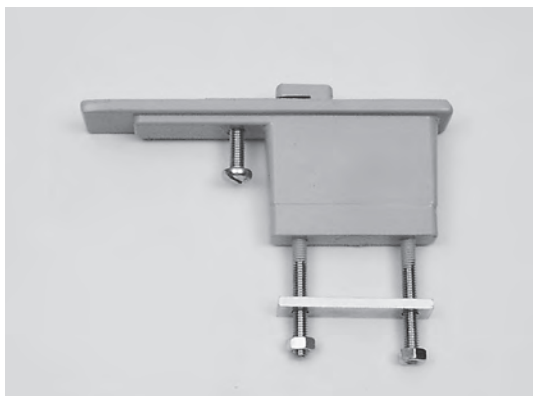
Piece



JUMBO S2160/2

Awning for large areas with telescopic arms and motor

S249/4



Top board fixation

These top board fixations are used for the top board S247/3 and for the awning for large areas JUMBO S2160/2.

MATERIAL

Aluminium alloy casting

PACKAGING UNIT

Piece

JUMBO S2160/2

Awning for large areas with telescopic arms and motor

S332/1

Stoboscope arms



This type of arms is used for the awnings for large areas JUMBO S2160/2 with a projection up to 500 cm (p.ex. hotels, restaurants, large terraces, etc.). Advantage: constantly tight cover in every extended position.

ENGINEERING DATA

Arms with integrated gas-filled struts and adjustment screw for exact adjustment of the incline. Retraction and extension system with telescope technique. Arm projections are generally measured from wall to the leading edge of the front rail.

Profile sizes:	118 x 54 mm, 96 x 46 mm, 64 x 39 mm, 55 x 32 mm
Load capacity:	TÜV approved, 6 x 5 m (2 arms)
Standard lengths:	400, 500 cm
Intermediate lengths:	reached by the end position of the motor

MATERIAL

Arm profiles:	extruded aluminium profiles
Joints:	aluminium alloy casting
Intermediate lengths:	gas-filled strut

DELIVERY

1 pair of arms
1 adjustment screw (socket head screw)
1 slider

PACKAGING UNIT

Pair