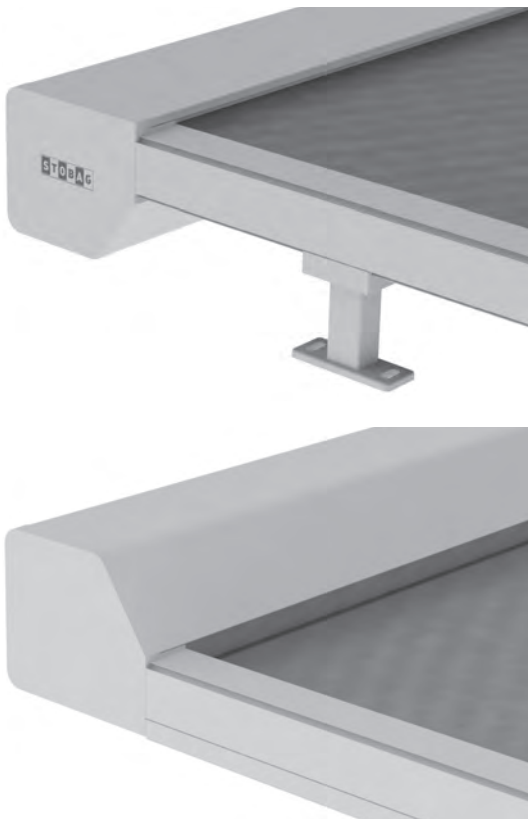


ARNEX PS8000

Over-glass awning with/without zip system

PS8000



	min. 100 cm max. 600 cm		min. 100 cm max. 600 cm
--	----------------------------	--	----------------------------

	0°–60°
--	--------

Description

Motorized glass-roof shading with awning fabric made from polyacrylic, which is color-fast, has very high UV protection, offers good tear resistance, and is also resistant to water and dirt depending on the specific fabric type used. Built using extruded aluminum profiles, with surfaces powder-coated to facade quality. Assembled with fittings on the guide rails. Box section sealed by cast aluminum alloy side covers in two sizes (148.5 x 126 mm and 162.5 x 140 mm) with side awning rail mounting and pin connector for the guide rail. Guide rails or front rail with integrated pneumatic-spring pulley system. Fitted as standard with one or two guide tube(s) for awning-fabric support. Depending on the model and size, designed to support wind resistance class 3. Can be operated by remote control, including weather protection mechanism.

ARNEX PS8000 optional features

- Optional zip system as an alternative awning-fabric guide structure
- Various fittings suitable for any installation situation

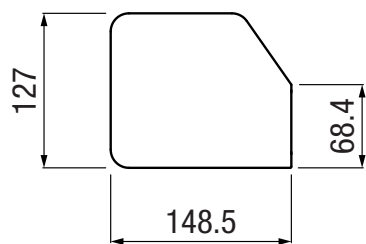
METHOD OF DELIVERY

The awning should be assembled with the fabric on, if possible. The guide rails are supplied separately. Fasteners for other substrates are not supplied. Fasteners to the product NYON GP3100 / NYON PLUS GP4100 | GP4200 are included.

ARNEX PS8000

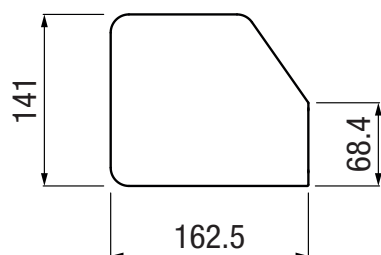
Over-glass awning with/without zip system

Box size



The size of the box depends on the projection

Small box = 1000 – 4000 mm projection

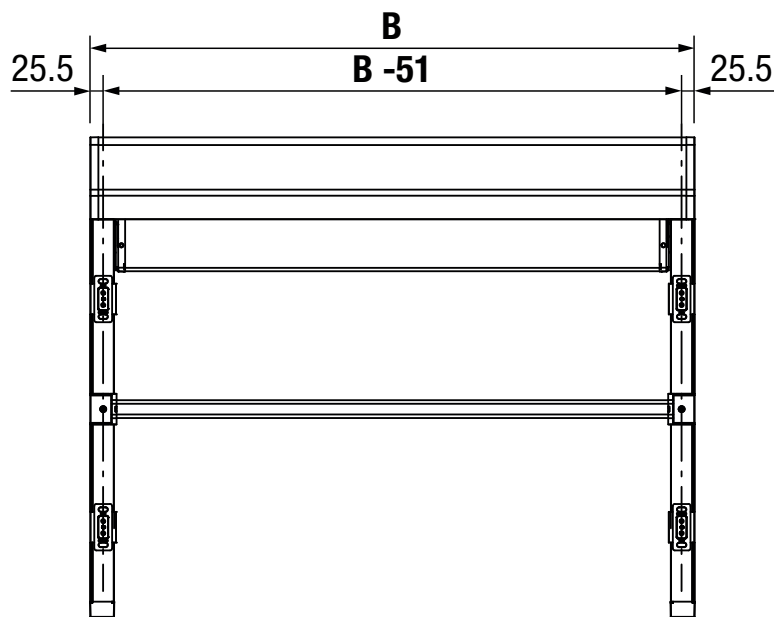


Large box = 4001 – 6000 mm projection

For systems with different projections connected together:

The system with the largest projection must be used to determine the size of the box.

Floor plan (freestanding)

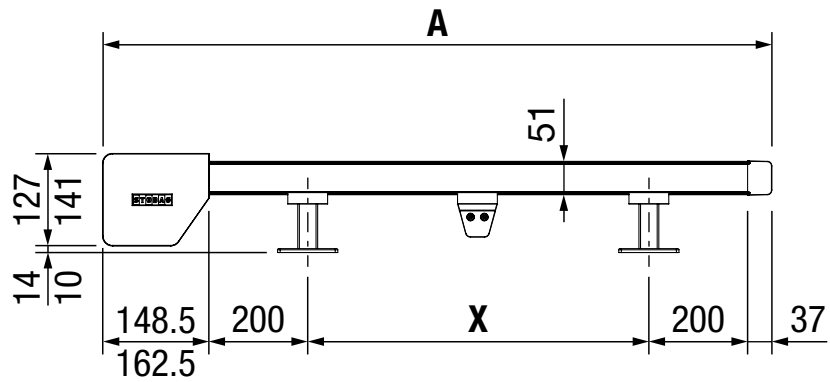


B = Total width

ARNEX PS8000

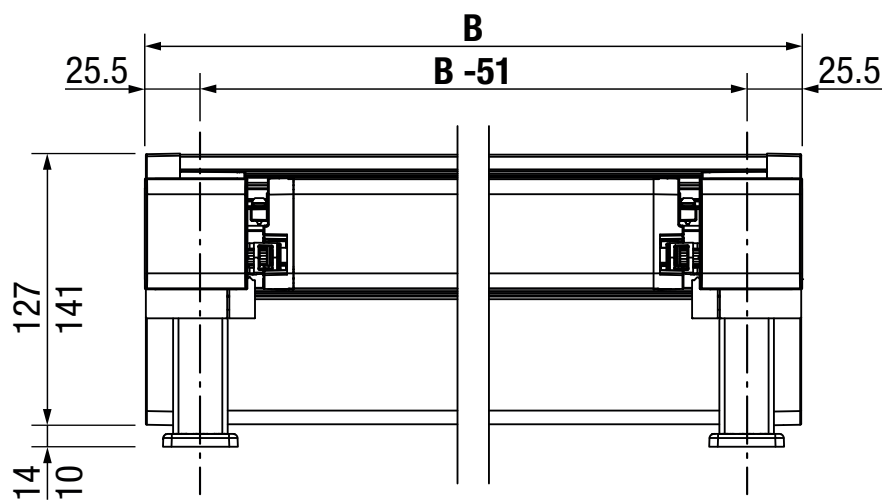
Over-glass awning with/without zip system

Side view (freestanding)



A = Projection

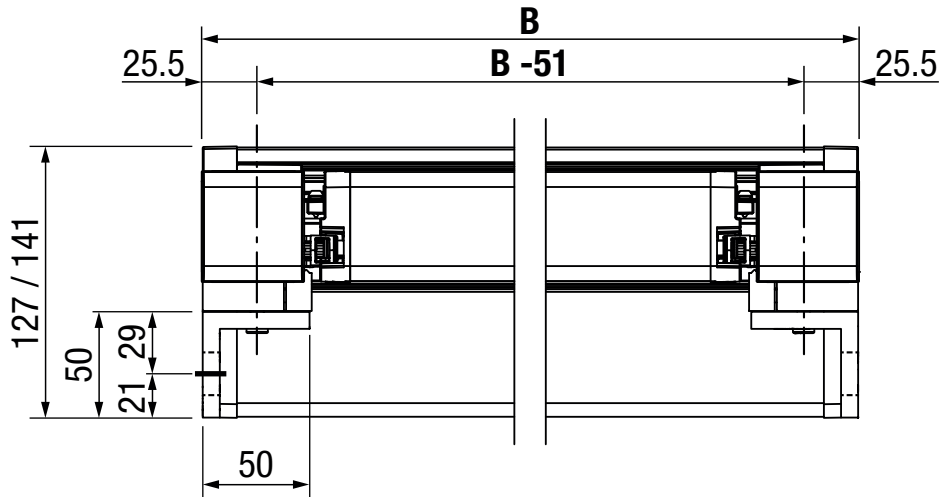
Front view (freestanding)



ARNEX PS8000

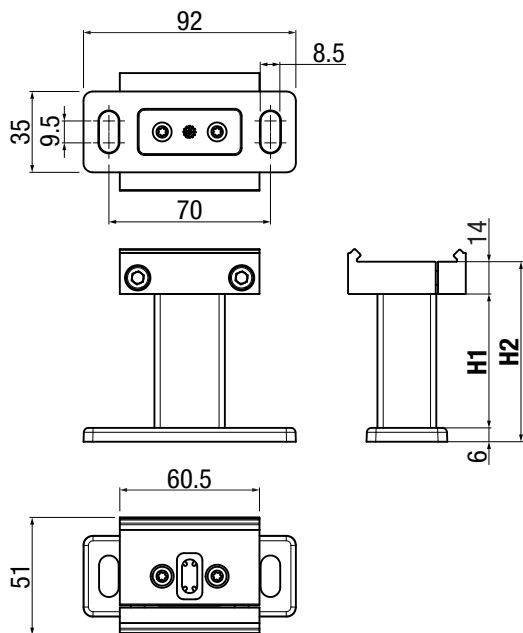
Over-glass awning with/without zip system

Front view (in-reveal installation)



B = Total width

Fittings (simple panel)



PS826-1/58 (small box)

H1 = 58 mm
H2 = 78 mm

PS826-1/68 (large box)

H1 = 68 mm
H2 = 88 mm

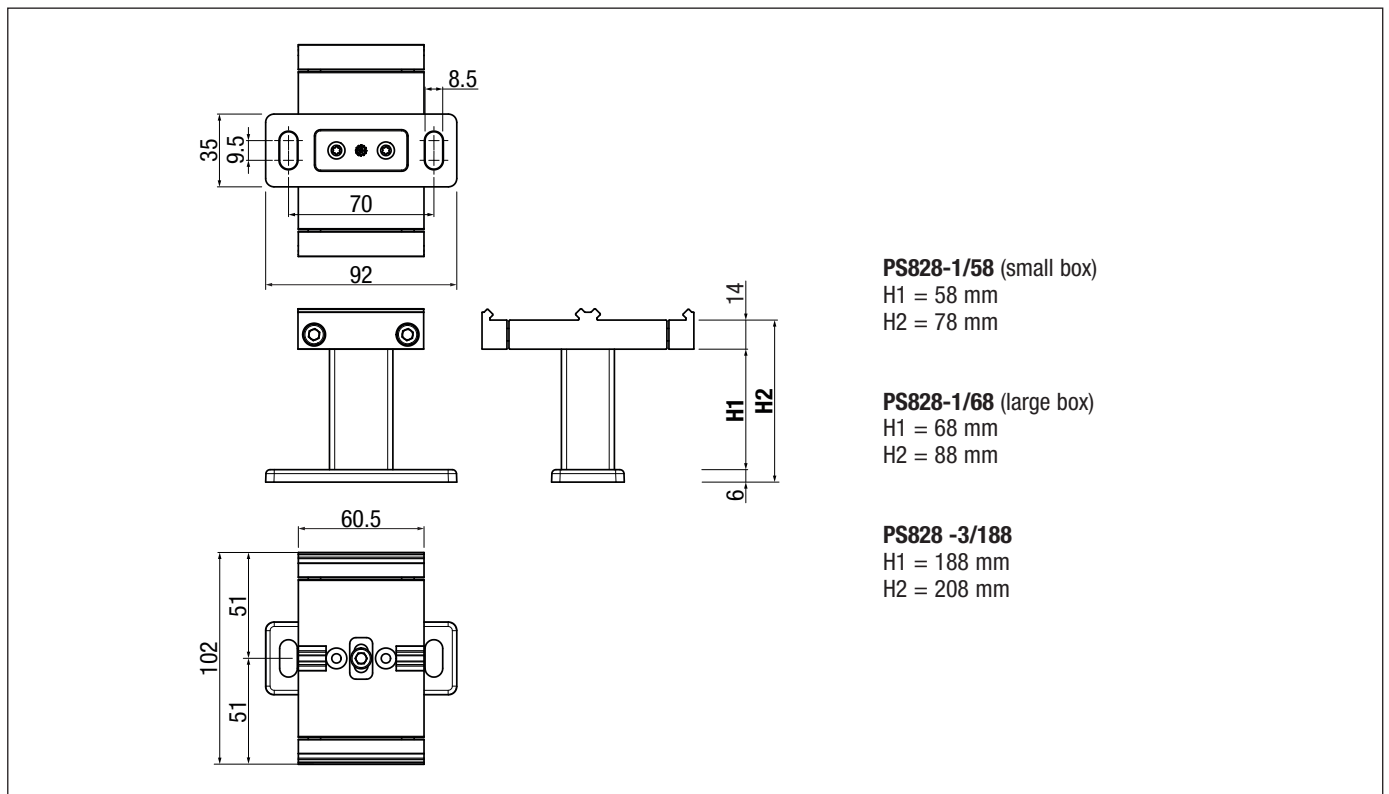
PS826-3/188

H1 = 188 mm
H2 = 208 mm

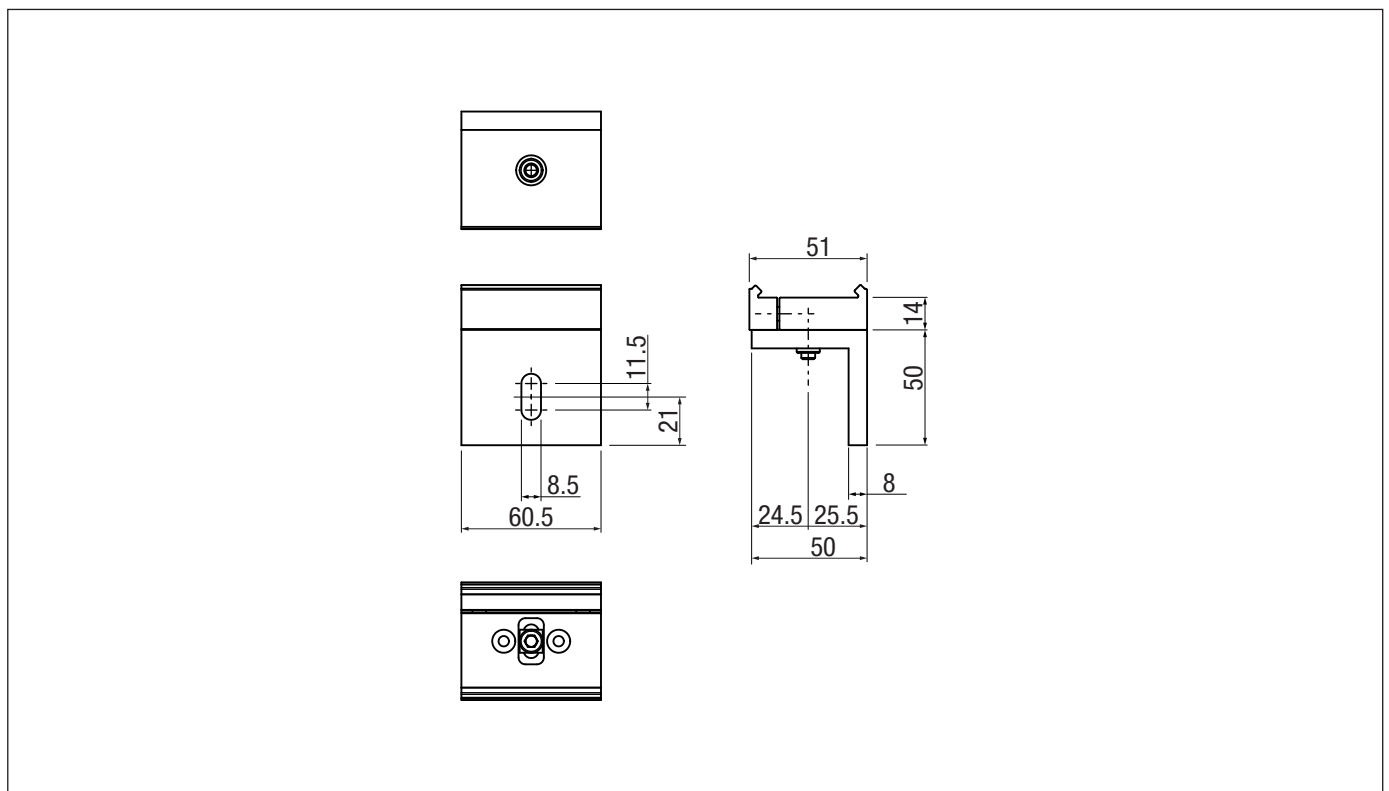
ARNEX PS8000

Over-glass awning with/without zip system

Fittings (dual panel)



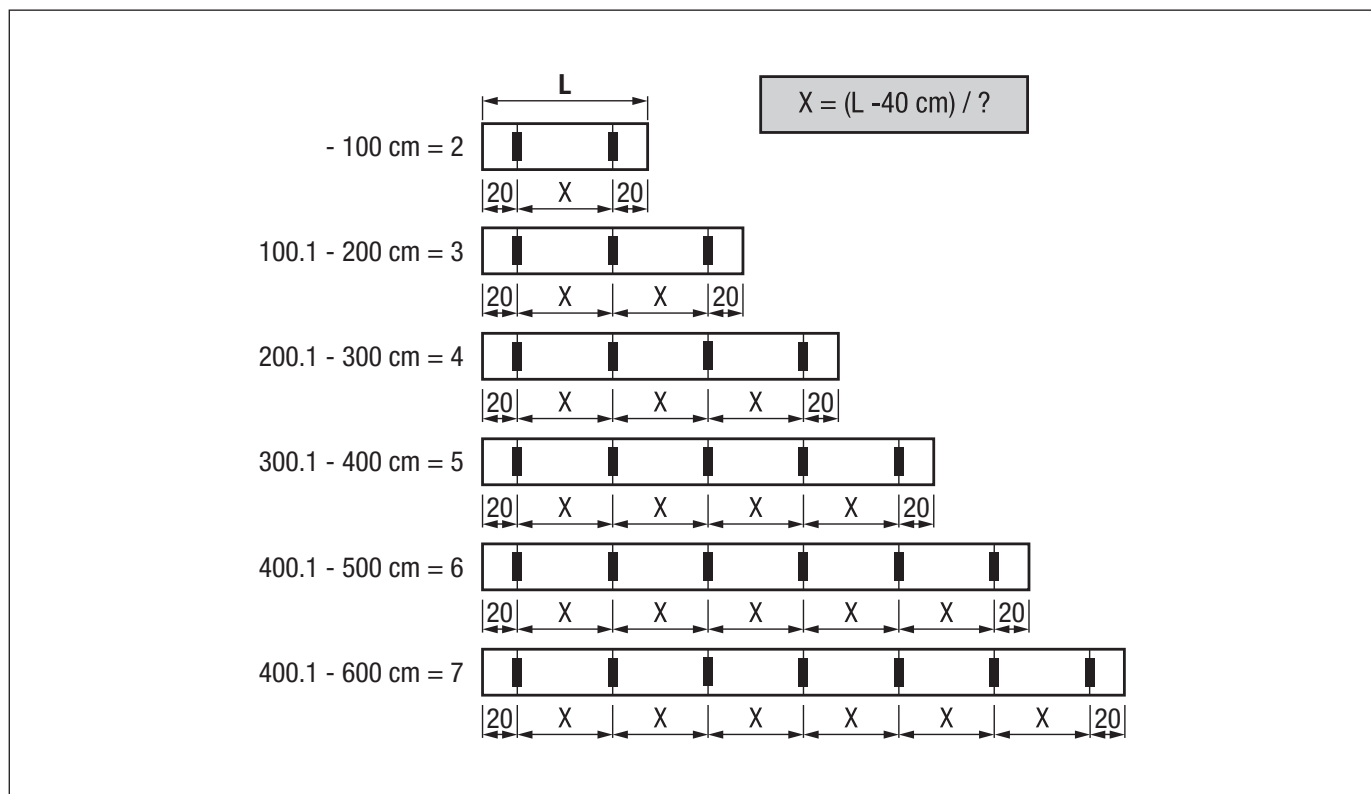
Fitting PS815 (in-reveal installation)



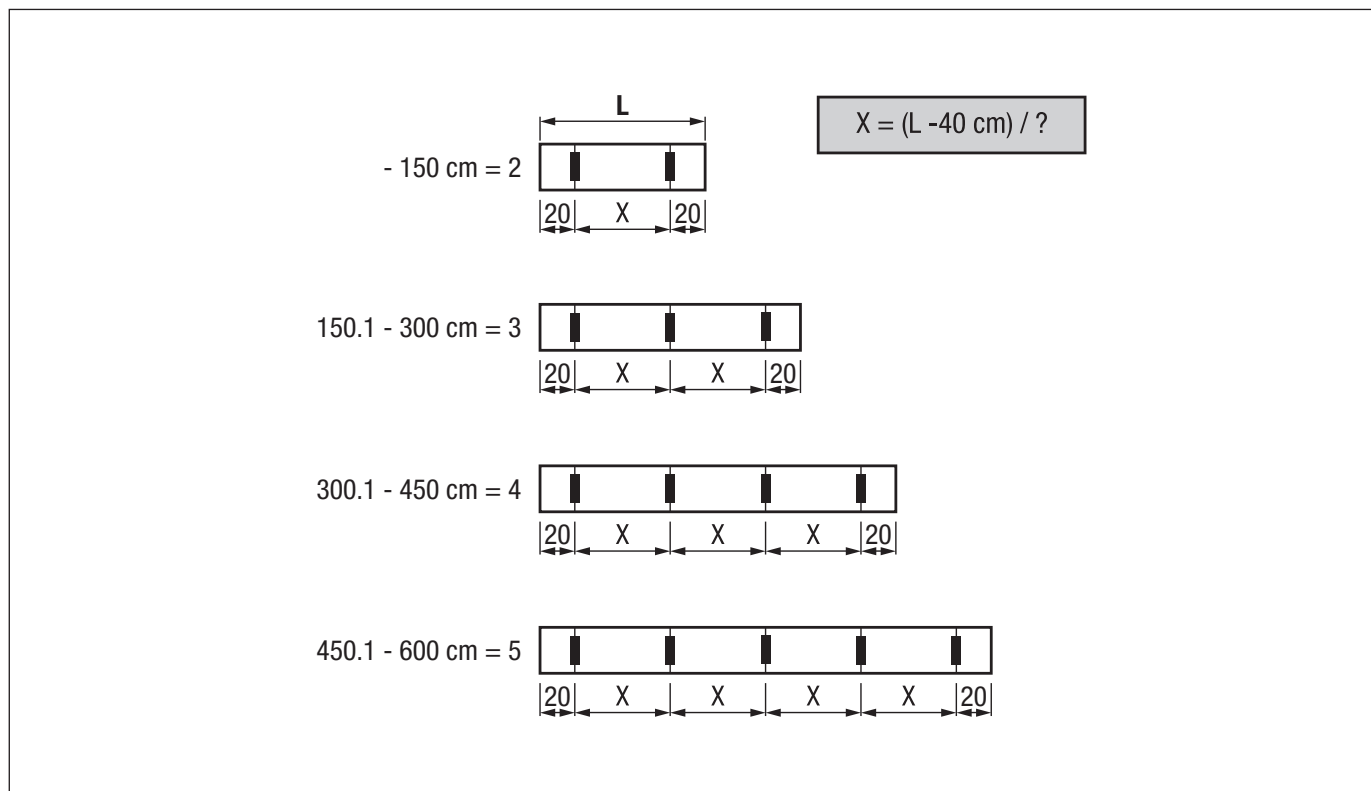
ARNEX PS8000

Over-glass awning with/without zip system

Fitting classification (with ZIP system)



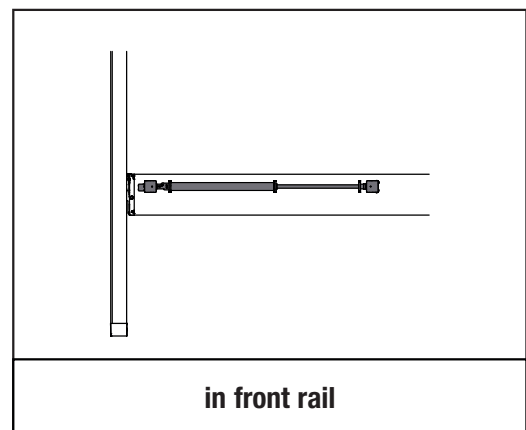
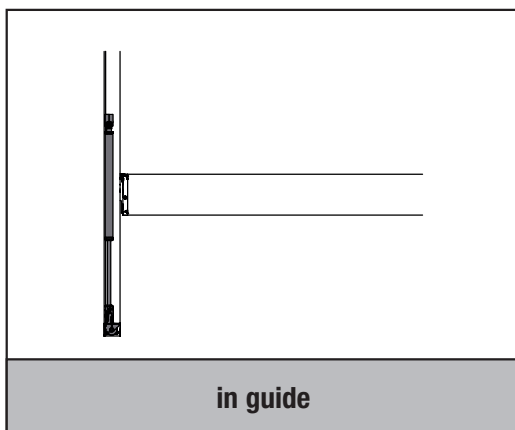
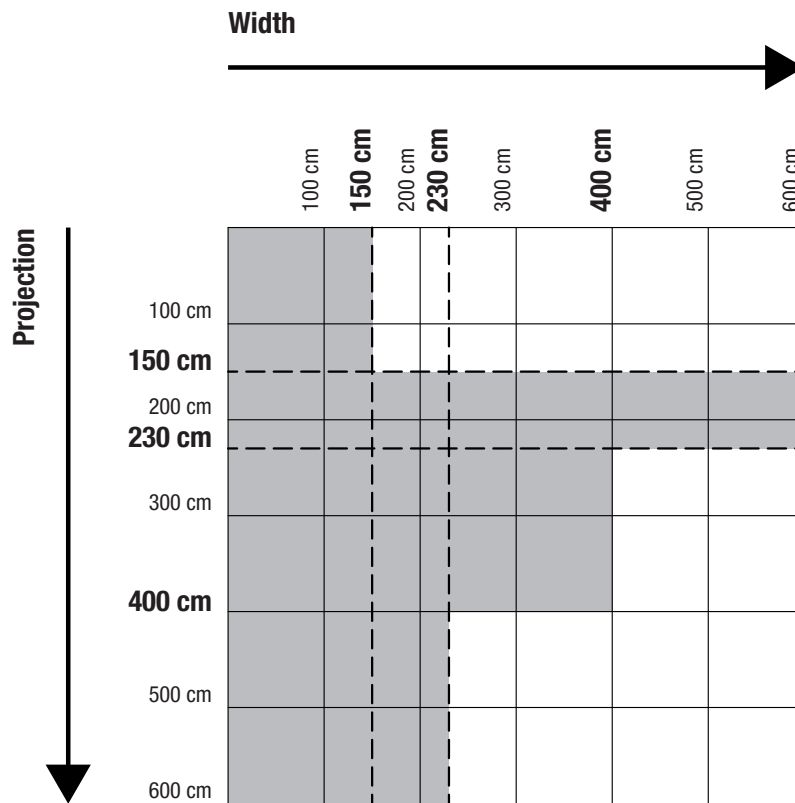
Fitting classification (without ZIP system)



ARNEX PS8000

Over-glass awning with/without zip system

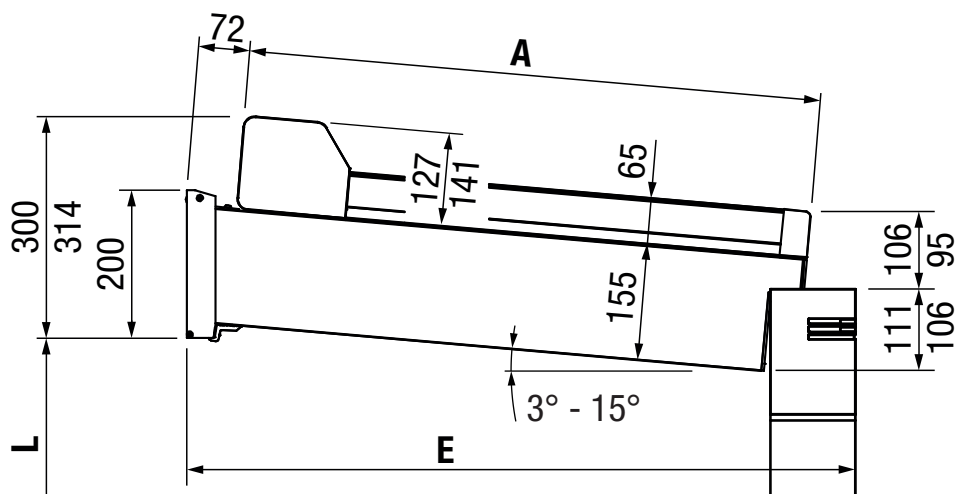
Pressurized cylinder technology



ARNEX PS8000

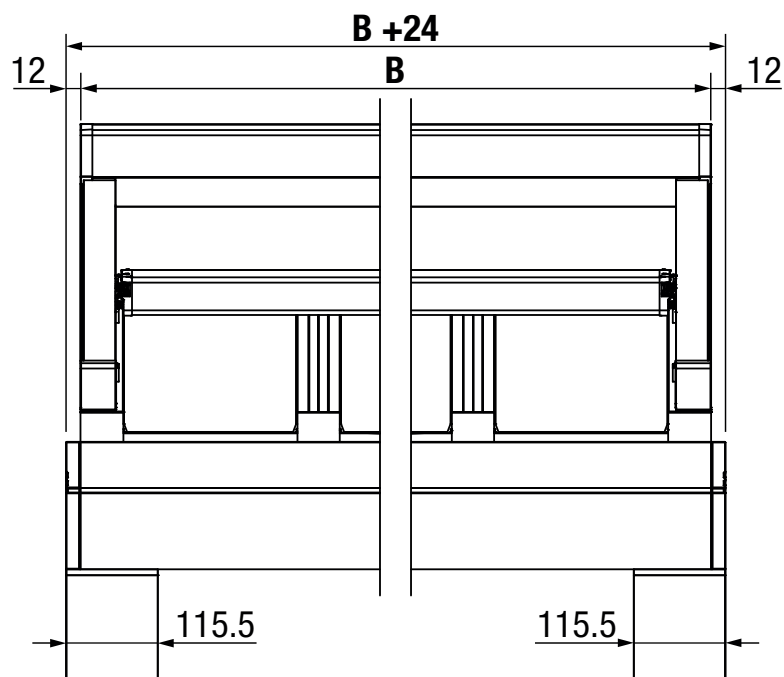
Over-glass awning with/without zip system

Side view (fitted to NYON GP3100)



A = Projection

Front view (fitted to NYON GP3100)

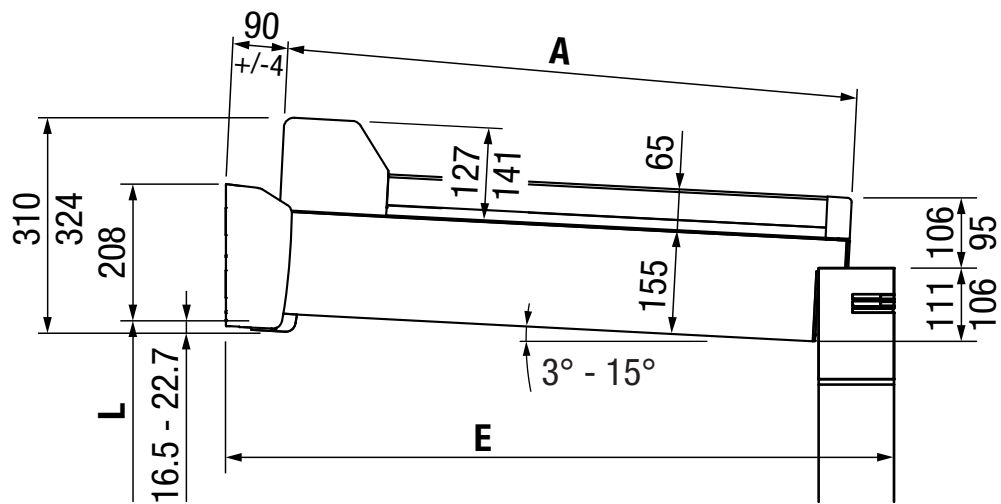


B = Total width

ARNEX PS8000

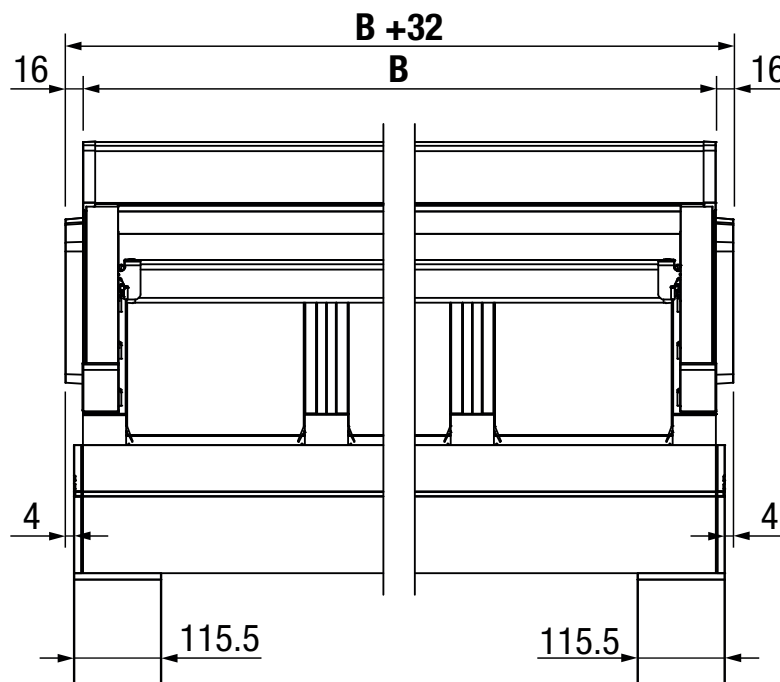
Over-glass awning with/without zip system

Side view (fitted to NYON PLUS GP4100 | GP4200)



A = Projection

Front view (fitted to NYON PLUS GP4100 | GP4200)

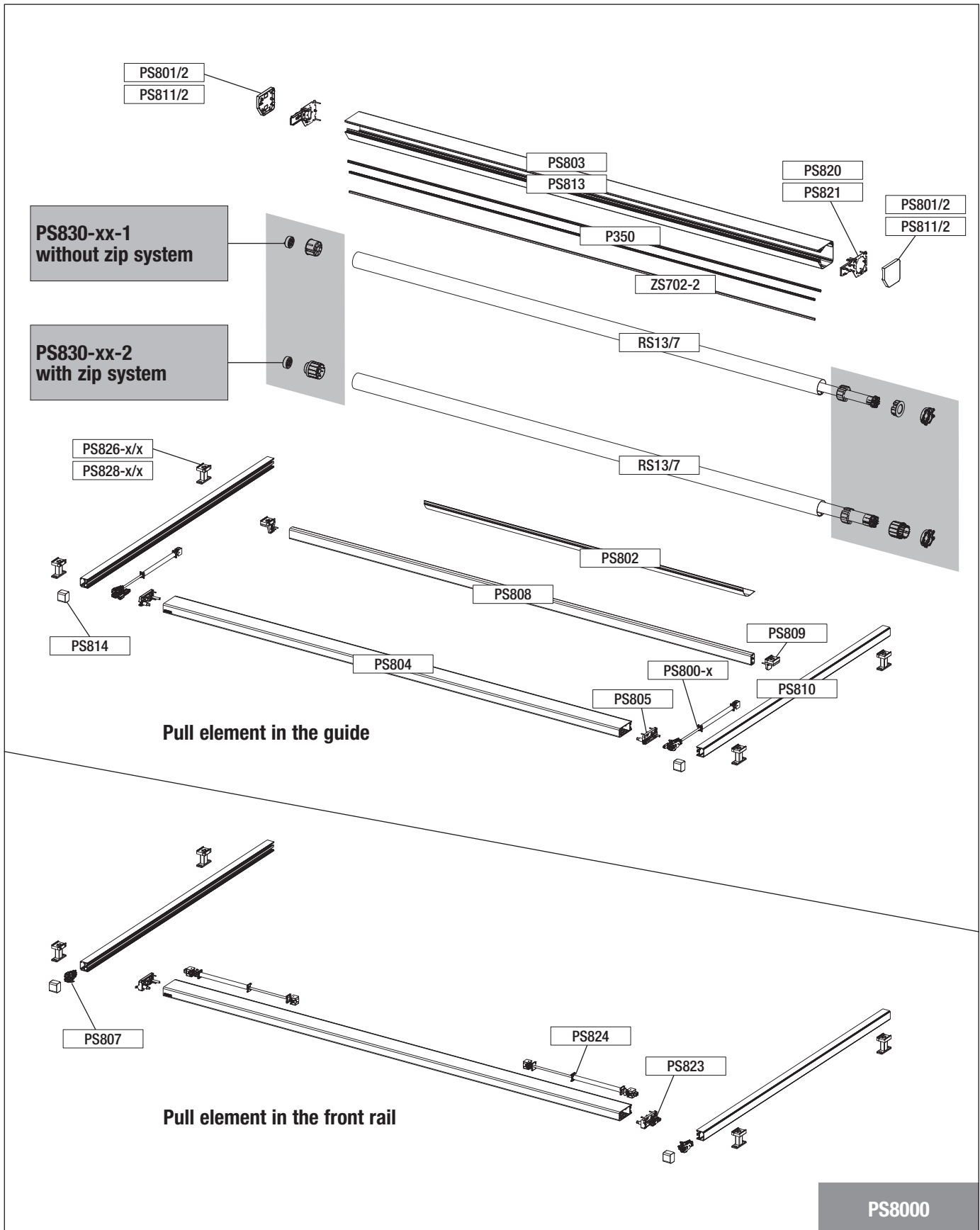


B = Total width

ARNEX PS8000

Over-glass awning with/without zip system

Exploded view (freestanding, unrolling up)

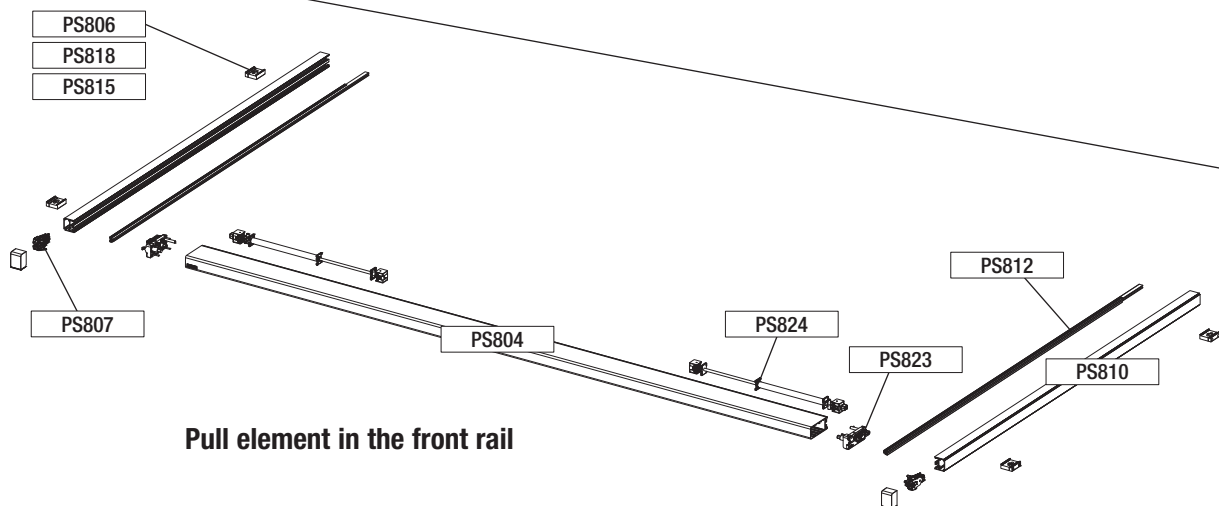
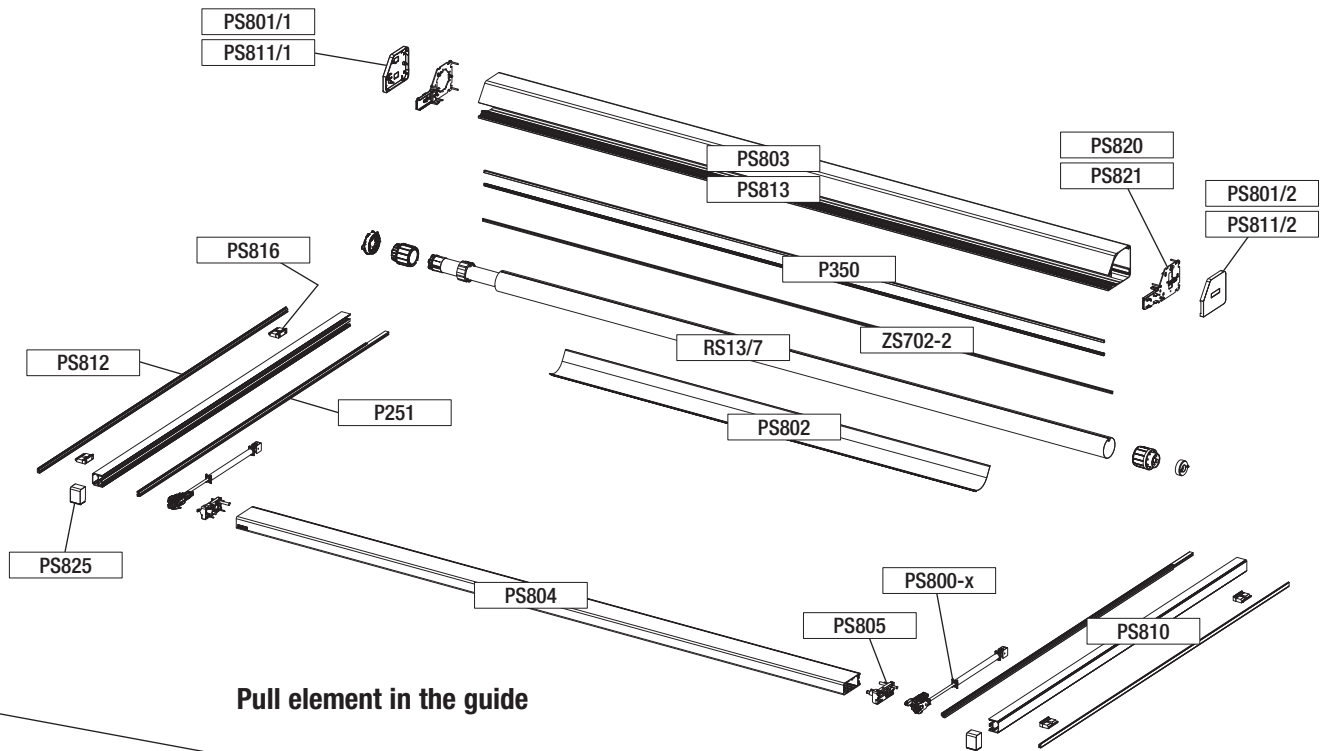


ARNEX PS8000

Over-glass awning with/without zip system

Exploded view (fitted to NYON/NYON PLUS, unrolling down)

Only available with zip system



PS8000

ARNEX PS8000

Over-glass awning with/without zip system

Components list

PS350	for PS803 for PS813	Brush seal PB 6.9 x 9 HF + 1 mm		pc.
PS251	for PS810	Zip guide rail		pc.
PS800-1/-2/-3/-4/-5	for PS810	Pull element pair (guide rail)		pc.
PS801/1	for PS803	Left side cover (small box)		pc.
PS801/2	for PS803	Right side cover (small box)		pc.
PS802	for PS803	Sliding element		pc.
PS803		Small box profile		pc.
PS804		Front rail		pc.
PS805	for PS804	Side cover assembly (front rail)		pc.
PS806		Clamping bracket		pc.
PS807		Empty deflector		pc.
PS808		Guide tube		pc.
PS809	for PS808	Guide tube assembly		pc.
PS810		Guide rail		pc.
PS811/1	for PS813	Left side cover (large box)		pc.
PS811/2	for PS813	Right side cover (large box)		pc.
PS812	for PS816	Strip profile		pc.
PS813		Large box profile		pc.
PS814		Covering cap pair		pc.
PS815		Fitting (in-reveal installation)		pc.
PS816		Strip clamping bracket		pc.
PS818		Dual panel clamping bracket		pc.
PS820	for PS813	Large side panel assembly		pc.
PS821	for PS803	Small side panel assembly		pc.
PS823	for PS824-x for PS804	Side cover assembly (front rail)		pc.
PS824-1/-2/-3/-4/-5	for PS823	Pull element (front rail)		pc.
PS825		Strip covering cap pair		pc.
PS826-1/58 PS826-1/68		Standard fittings	Height = 78 mm Height = 88 mm	pc. pc.
PS828-1/58 PS828-1/68		Standard dual panel fittings	Height = 78 mm Height = 88 mm	pc. pc.
PS826-3/188 PS828-3/188		Special single panel fittings Special dual panel fittings	Height = 208 mm Height = 208 mm	pc. pc.

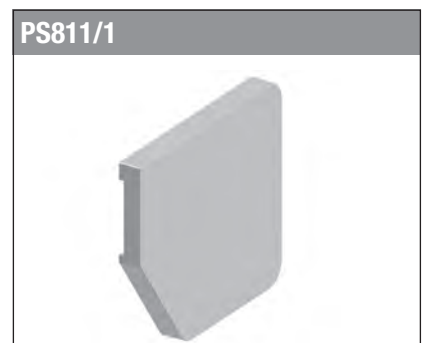
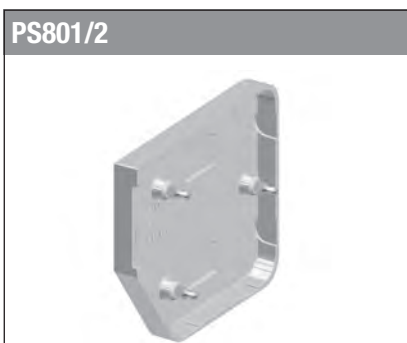
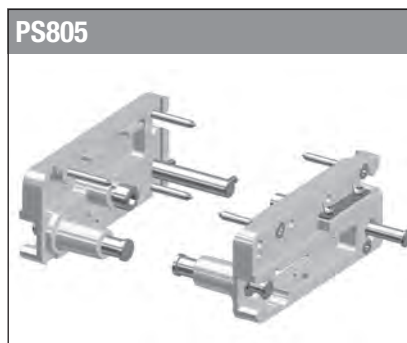
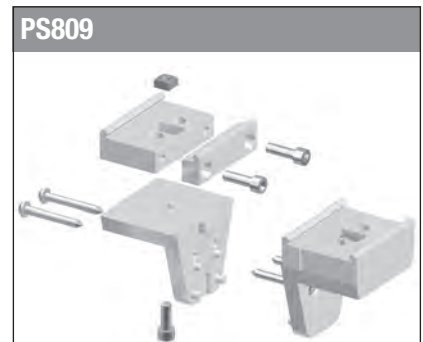
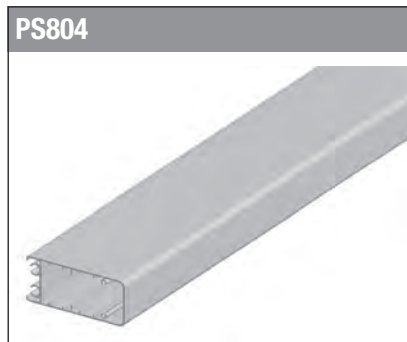
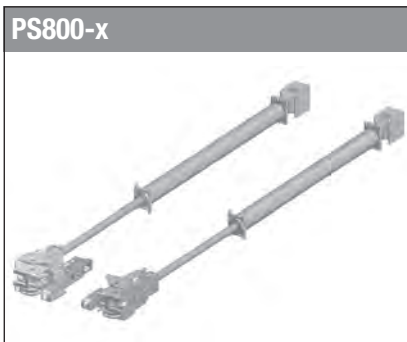
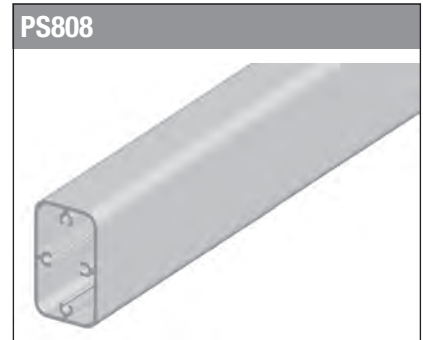
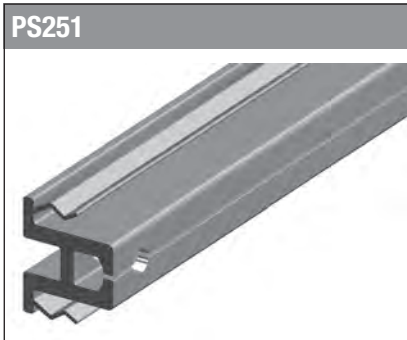
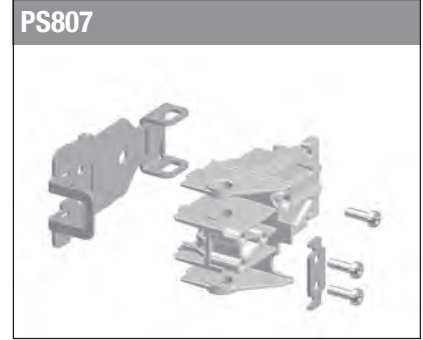
ARNEX PS8000

Over-glass awning with/without zip system

PS830-50-1	MS198 MSM203/85/1 MSA203/85/x RS14/7 P244/1	Drive set without zip system (for \varnothing 50 mm motor) consisting of 1 star-head motor bracket with spring washer 1 follower \varnothing 85 mm 1 adapter \varnothing 50 mm 1 bearing pin \varnothing 85 mm 1 counterbearing with ball bearing		pc.
PS830-60-1	MS198 MSM203/85/1 MSA203/85/x RS14/7 P244/1	Drive set without zip system (for \varnothing 60 mm motor) consisting of 1 star-head motor bracket with spring washer 1 follower \varnothing 85 mm 1 adapter \varnothing 60 mm 1 bearing pin \varnothing 85 mm 1 counterbearing with ball bearing		pc.
PS830-50-2	MS198 MSM203/85/1 P244/1	Drive set with zip system (for \varnothing 50 mm motor) consisting of 1 star-head motor bracket with spring washer 1 combi adapter \varnothing 85 star-head small \varnothing 50 mm 1 follower \varnothing 85 mm 1 counterbearing \varnothing 85 mm 1 Gegenlager mit Kugellager 2 clamping lugs		pc.
PS830-60-2	MS198 MSM203/85/1 P244/1	Drive set with zip system (for \varnothing 60 mm motor) consisting of 1 star-head motor bracket with spring washer 1 combi adapter \varnothing 85 star-head large \varnothing 60 mm 1 follower \varnothing 85 mm 1 counterbearing \varnothing 85 mm 1 counterbearing with ball bearing 2 clamping lugs		pc.
RS13/7		Awning-fabric shaft (\varnothing 85 mm)		pc.
ZS702-2		Deflector profile		pc.

ARNEX PS8000

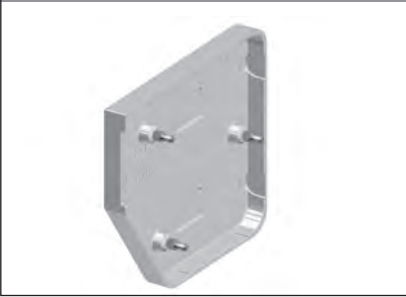
Over-glass awning with/without zip system



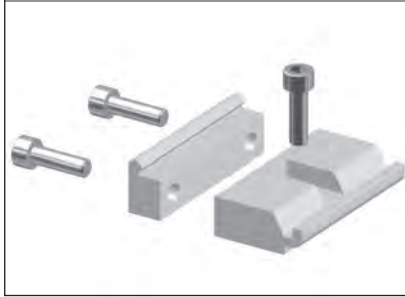
ARNEX PS8000

Over-glass awning with/without zip system

PS811/2



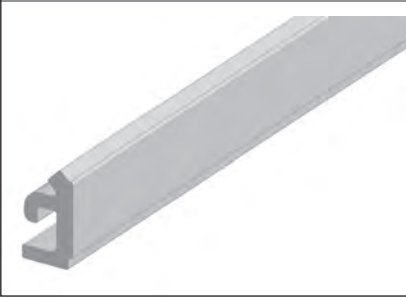
PS816



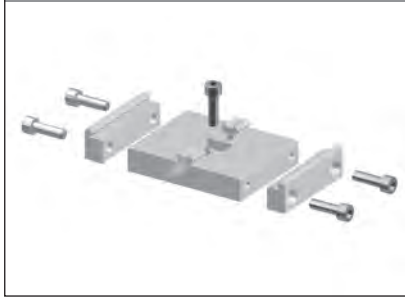
PS824-x



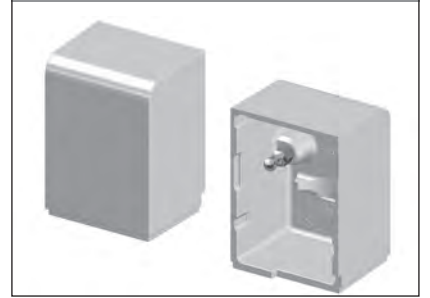
PS812



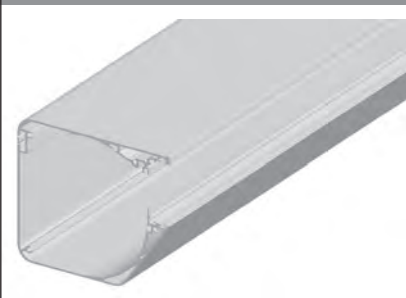
PS818



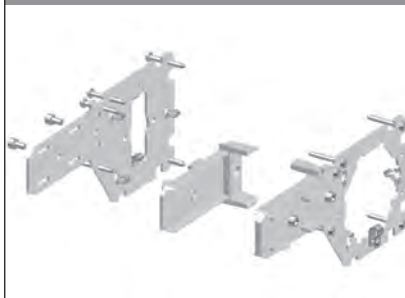
PS825



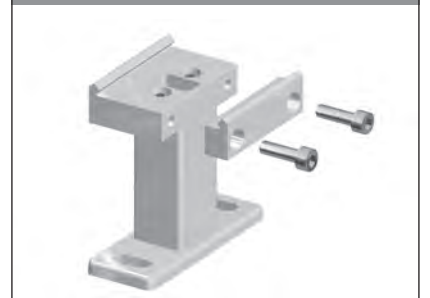
PS813



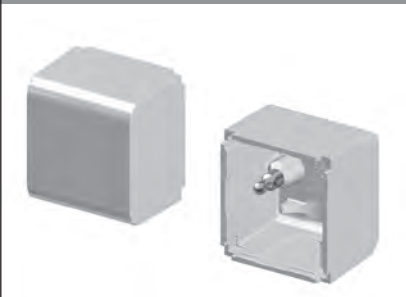
PS820



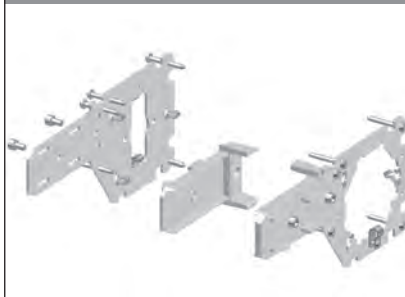
PS826-1/58 / PS826-1/68



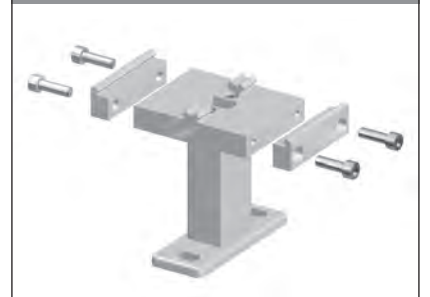
PS814



PS821



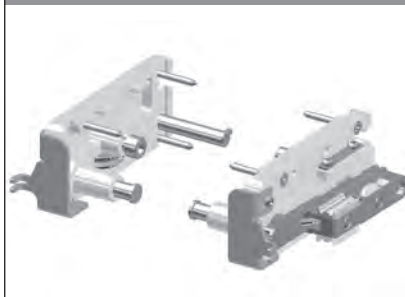
PS828-1/58 / PS828-1/68



PS815



PS823



PS826-3/188



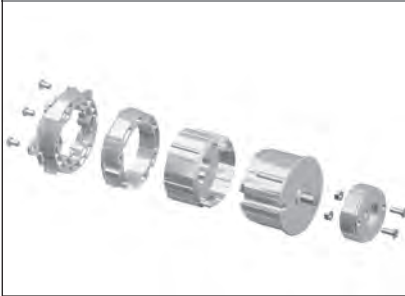
ARNEX PS8000

Over-glass awning with/without zip system

PS828-3/188



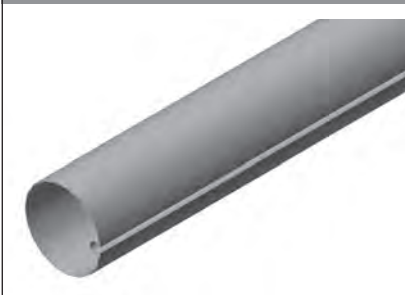
PS830-50-1 / PS830-60-1



PS830-50-2 / PS830-60-2



RS13/7



ZS702-2

