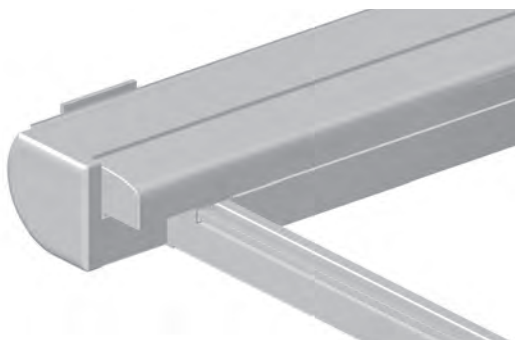


# PERGOLINO P3600

Terrace awning with electric motor

## P3600



With 2 guides

	min. 100 cm max. 600 cm		min. 140 cm max. 600 cm
--	----------------------------	--	----------------------------

With 3 guides

	min. 601 cm max. 700 cm		min. 140 cm max. 600 cm
--	----------------------------	--	----------------------------

	0°–25°		8°–25°
--	--------	--	--------

**0° – 8°: Sun protection only:**

- System with cloth PG1
- 0 to 3 guide rails

**8° – 25°: As rain protection:**

- System with water-repellent cloth PG3
- 1 to 3 guide rails (first guide rail must be set back 60 cm due to water sack formation)
- Water eyelets (distance from below always 15 cm)

## Description

Motorized patio shading with polyacrylic covering, colorfast, very high UV protection, good tear resistance, water and dirt repellent depending on fabric. Construction for wall mounting with supports (60 x 60mm) made of extruded aluminum profiles, surfaces powder-coated in facade quality. Two-piece box held by sliding brackets. Guide rails (90 x 60mm) mounted on the box with integrated gas pressure spring cable pull system and roller gliders for fabric transport. Drop-down profile locking device mounted on the side of the guide rails ensures optimum cloth tensioning. Cloth overhang of max. 80 cm per side can be optionally divided. The supports can be fixed to the ground with foot plates, ground sleeves or flower troughs. Overall construction with fully extended and locked fabric designed up to wind resistance class 3, controllable via radio and automatic weather protection. Up to 25 degrees inclination possible, suitable for rain from 8 degrees.

### Options:

**Lighting:** LED lighting integrated in guides and/or guide rail(s), can be controlled by remote control.

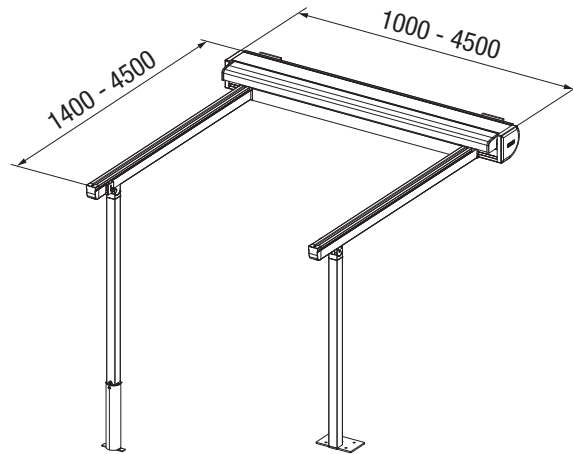
## METHOD OF DELIVERY

Awning complete in top box, with cover. Guide rails, posts and floor fixation separately.

# PERGOLINO P3600

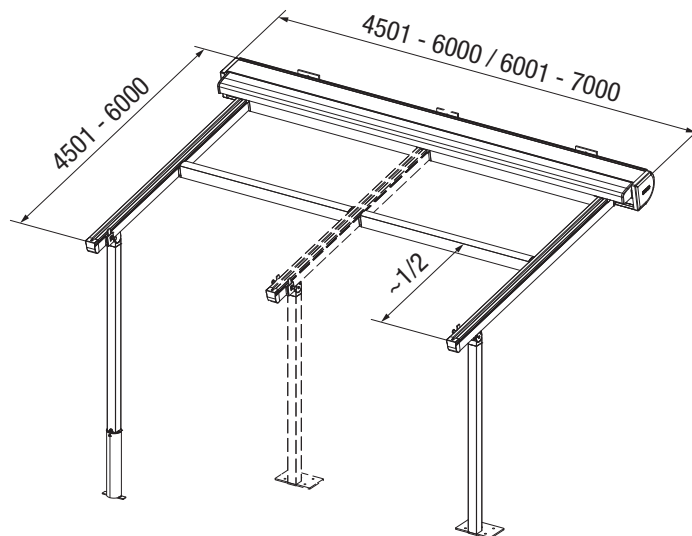
Terrace awning with electric motor

## View with ground socket / foot plate



## View with ground socket / foot plate (2 guide rails / 3 guide rails)

With ground socket / foot plate, a guide rail must be installed from a width and projection of more than 450 cm.

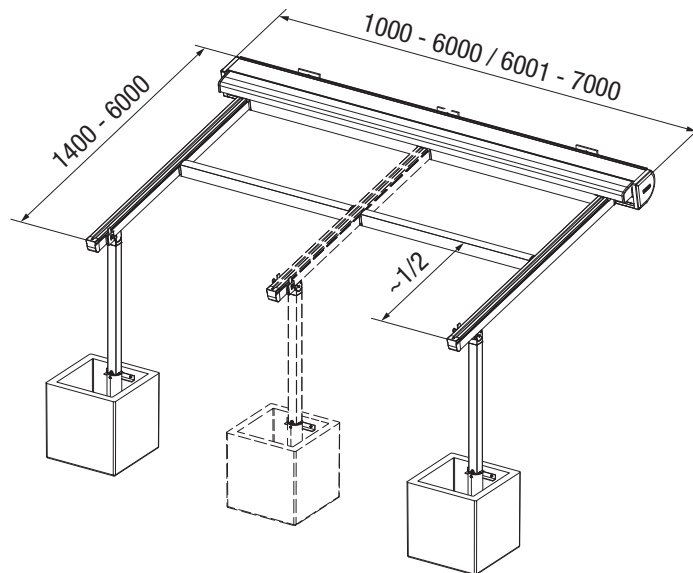


# PERGOLINO P3600

Terrace awning with electric motor

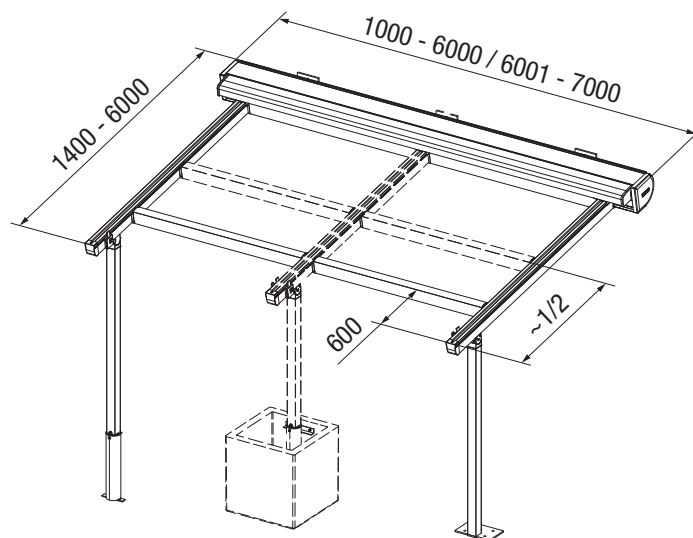
## View with flower trough (2 guide rails / 3 guide rails)

A guide rail must be mounted with the flower trough for stability.



## View with ground socket / flower trough / foot plate (2 guide rails / 3 guide rails)

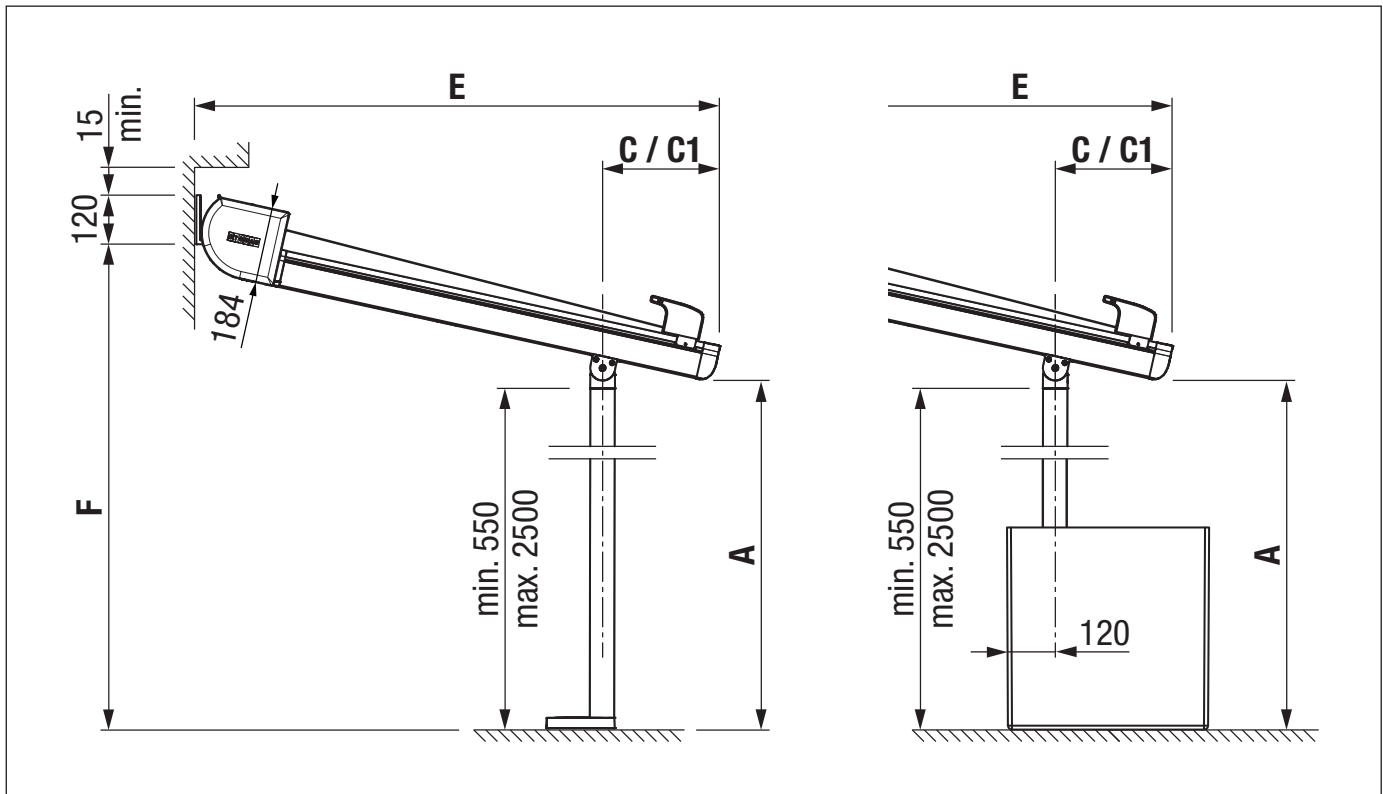
A guide rail (60 cm set back from the front) must be fitted for use in rain with a gradient of 8 degrees or more. From a width and projection over 450 cm an additional guide rail (approximately in the middle) must be installed.



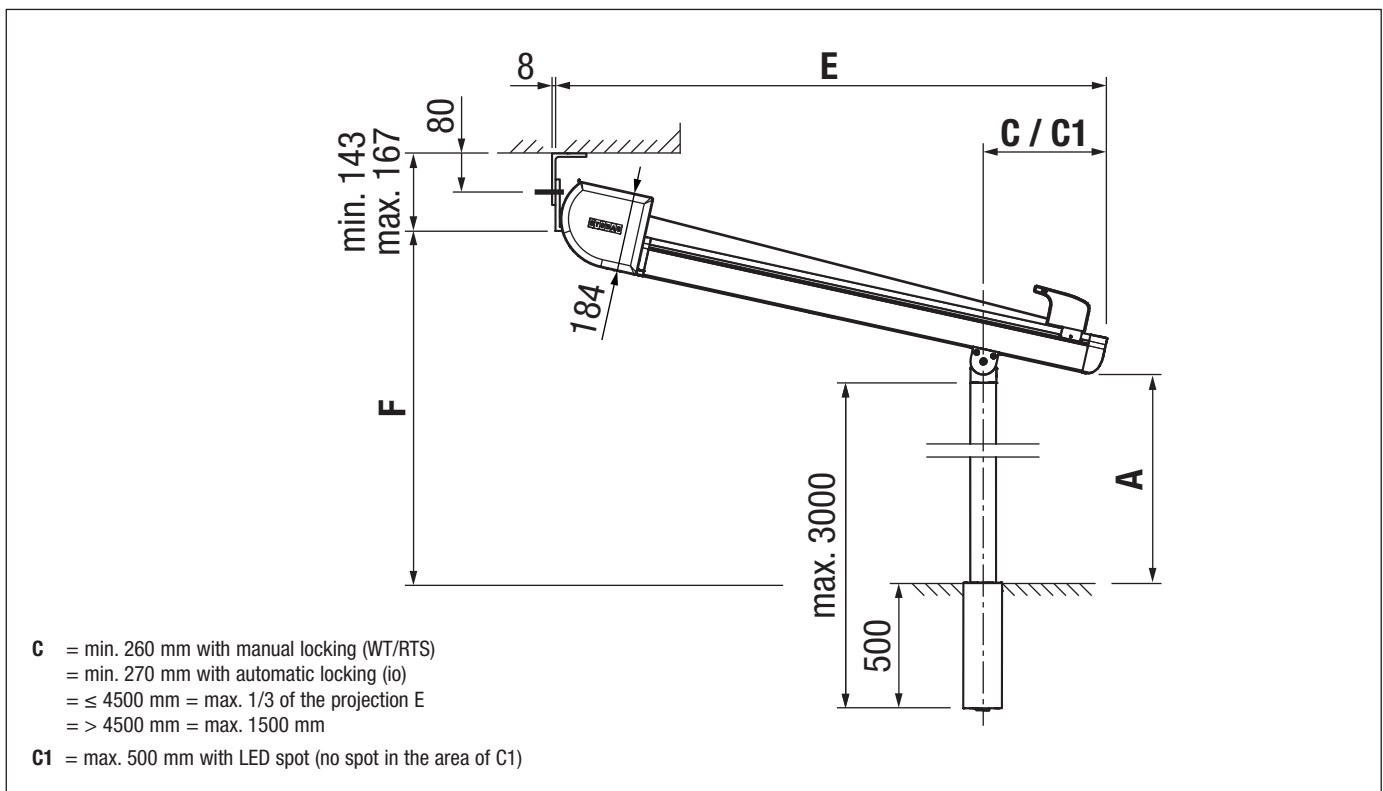
# PERGOLINO P3600

Terrace awning with electric motor

## Wall mounting with foot plate / flower trough



## Ceiling mounting with ground socket

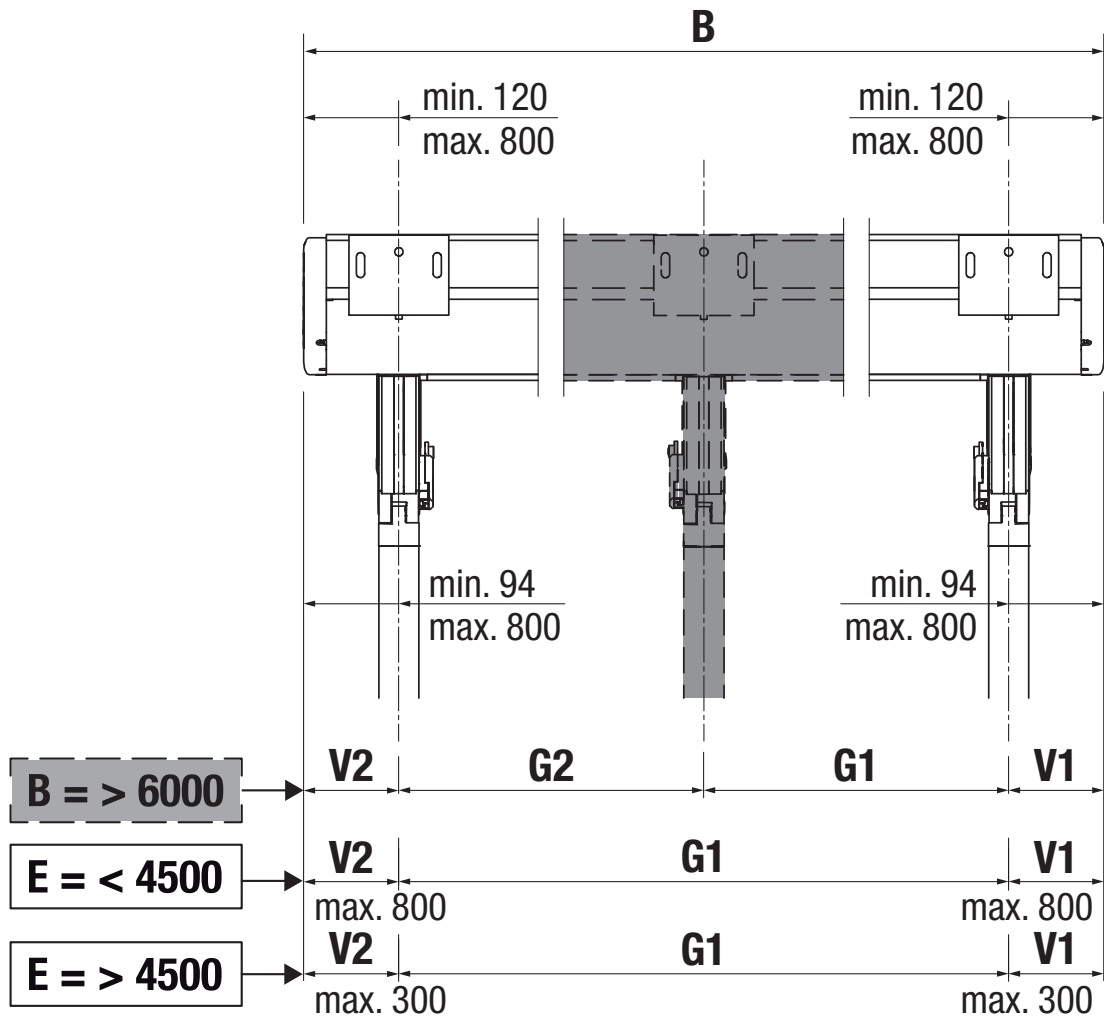


# PERGOLINO P3600

Terrace awning with electric motor

## Installation drawing

V1 / V2 and G1 / G2 should have similar measurements where possible



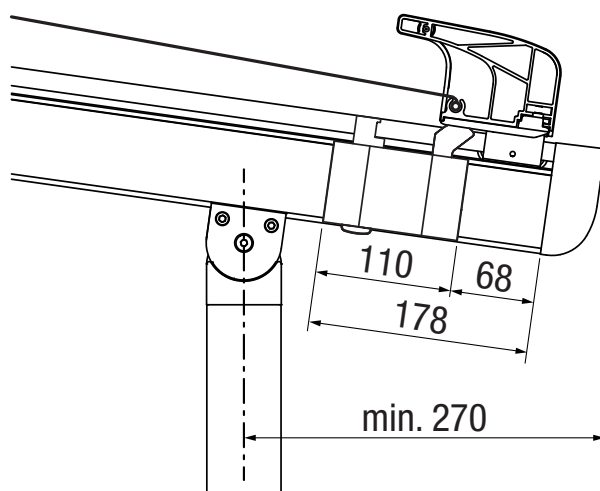
**B** = Total width  
**E** = Overhang Horizontal  
 > = E greater than 4500 mm  
 < = E less than 4500 mm

# PERGOLINO P3600

Terrace awning with electric motor

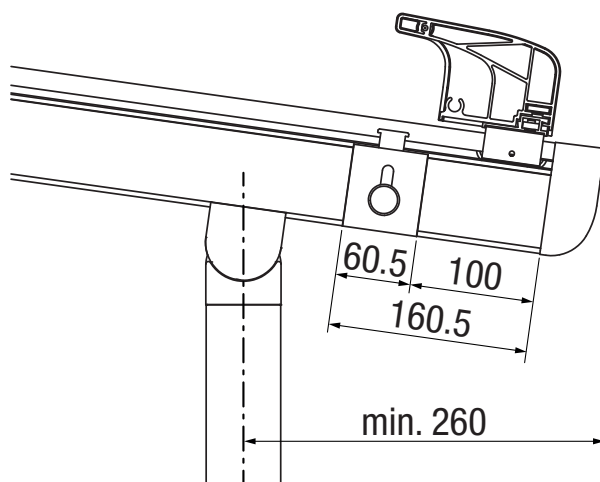
## Position Locking only possible with io motor (automatic)

STOBLOCK and SUPPORT can overlap up to 15 mm



## Position Locking (mechanical)

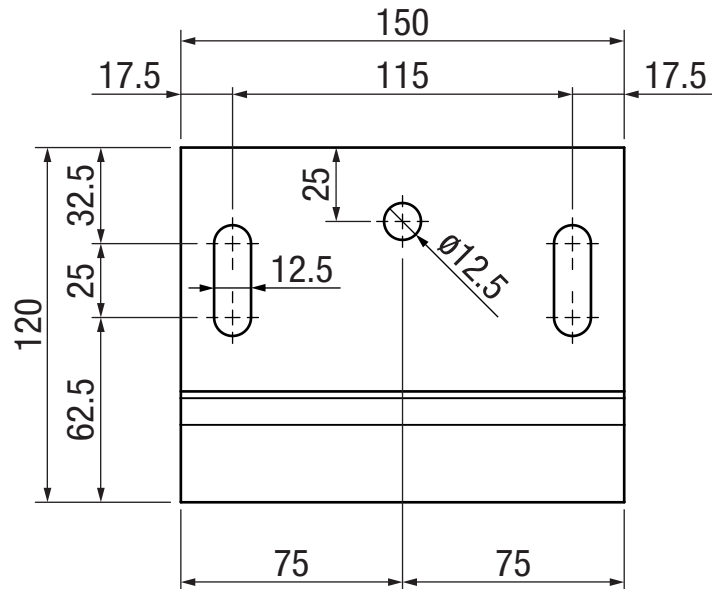
STOBLOCK and SUPPORT cannot be mounted in the same place.



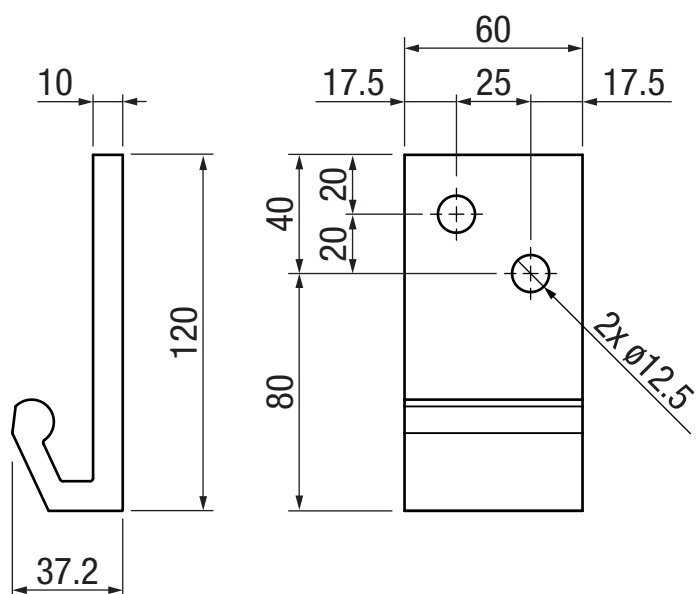
# PERGOLINO P3600

Terrace awning with electric motor

## P361 Wall Bracket (Standard)



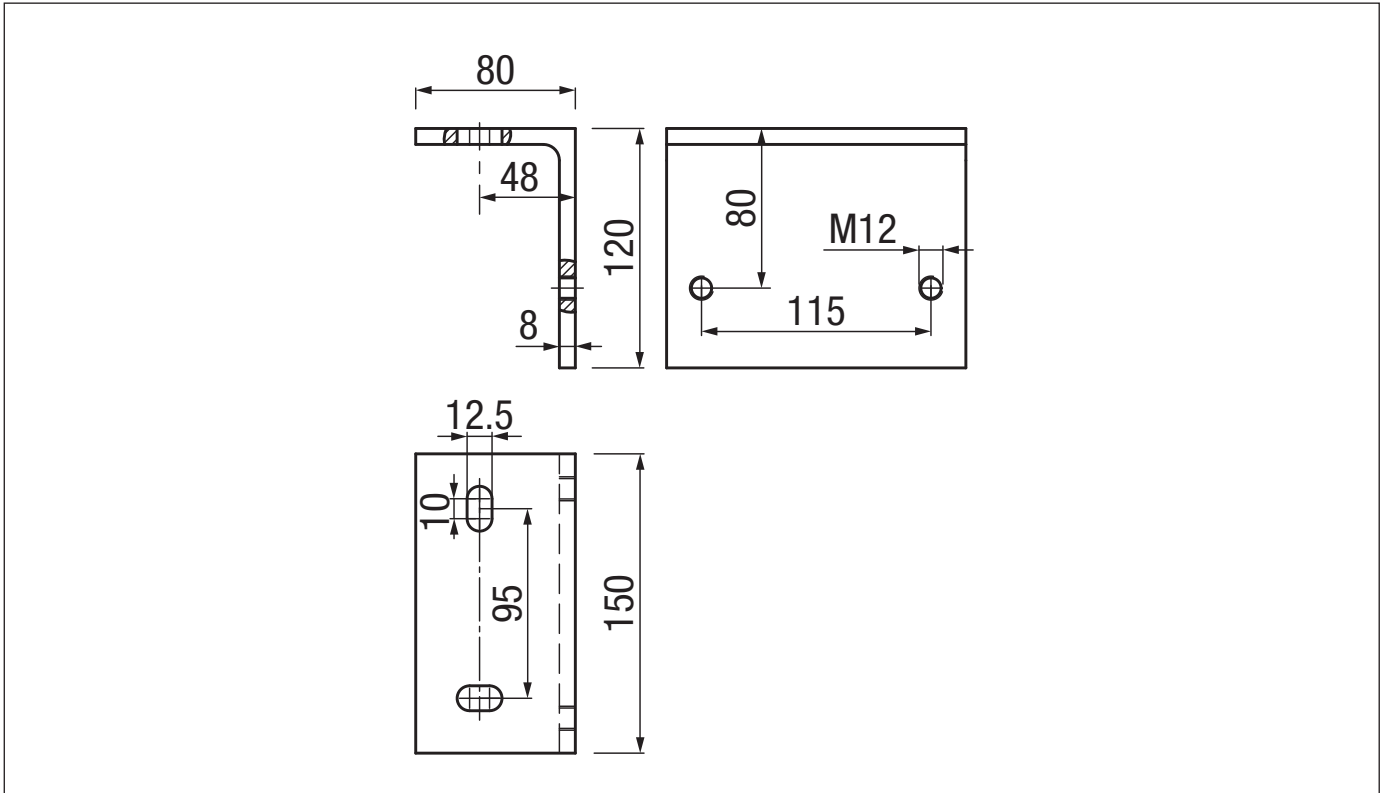
## P351 Wall bracket (narrow)



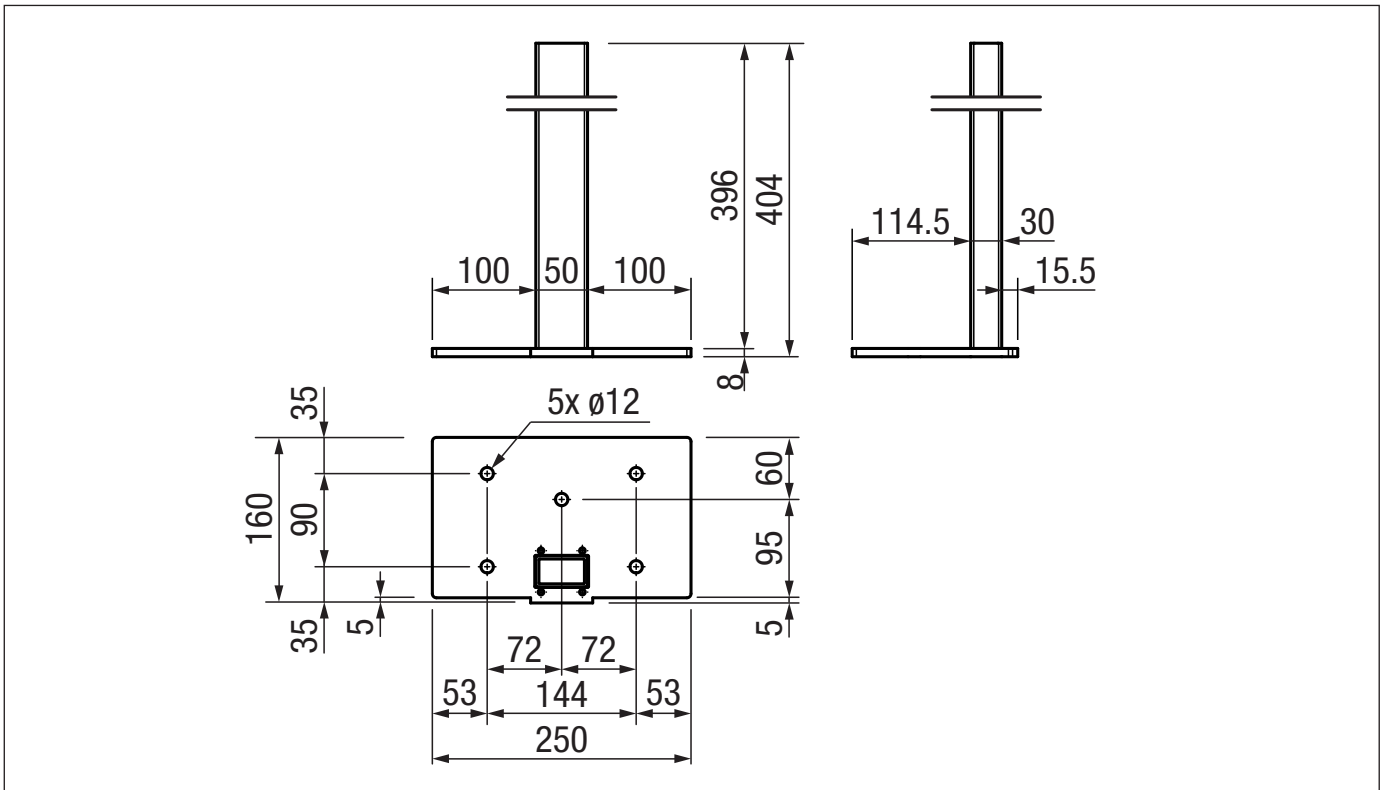
# PERGOLINO P3600

Terrace awning with electric motor

## P333 Ceiling bracket (for wall bracket P361 standard)



## P363 Footplate

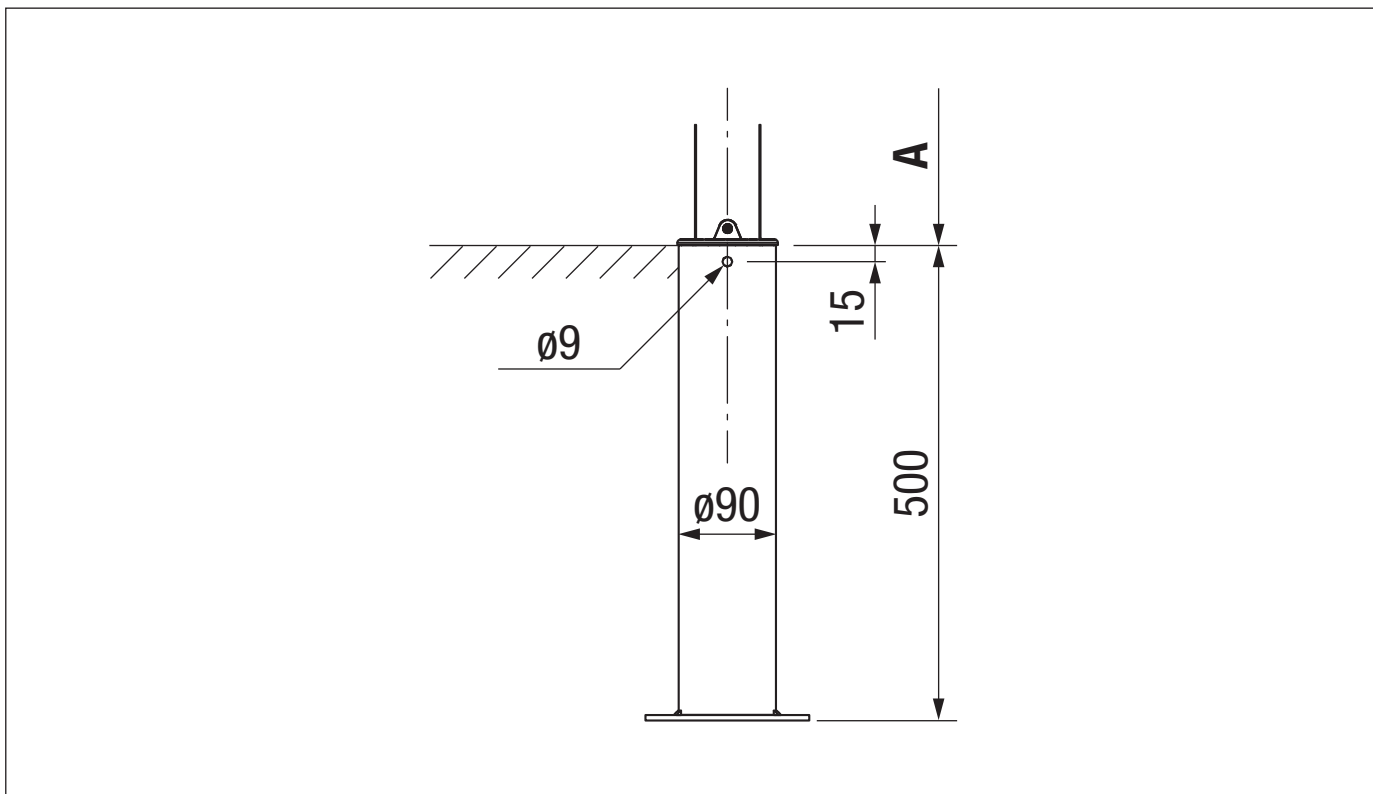




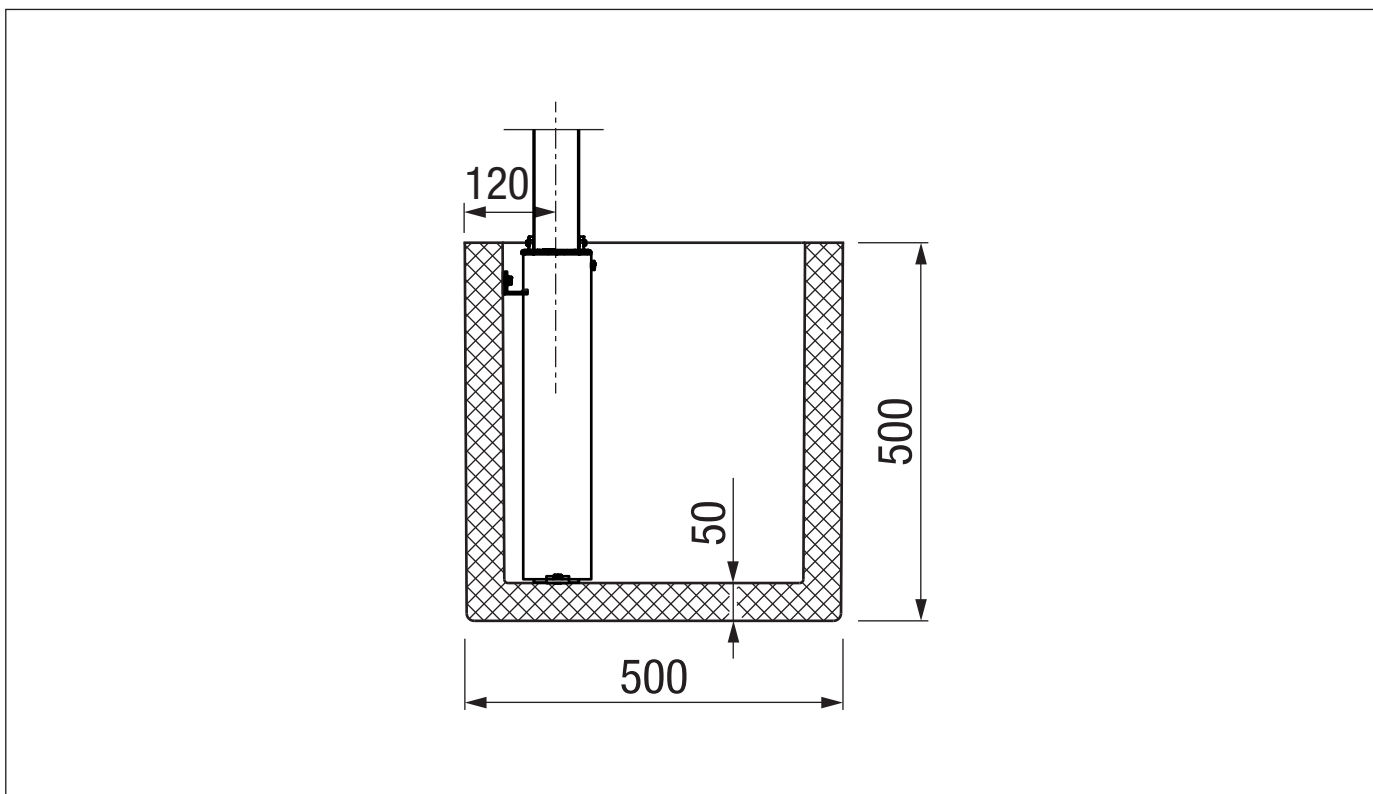
# PERGOLINO P3600

Terrace awning with electric motor

## OS315 Ground socket



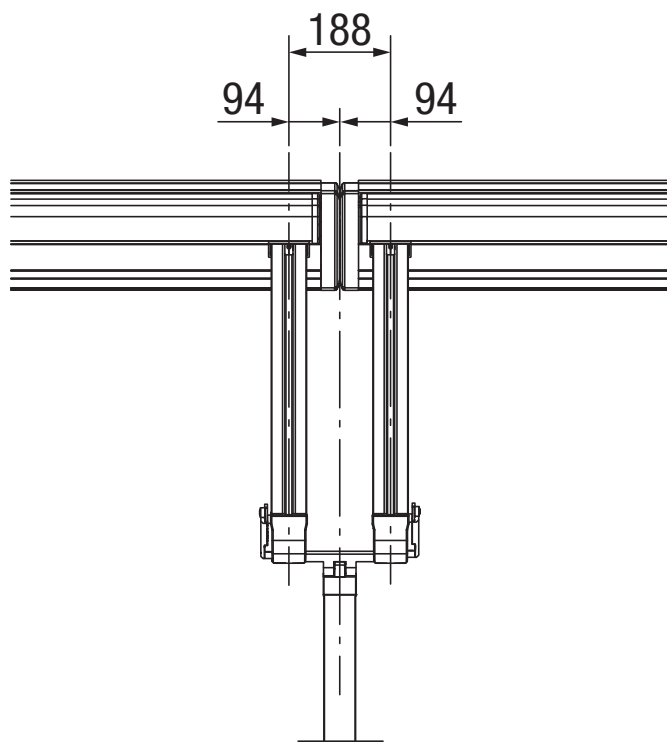
## P317 Flower trough with flower trough socket



# PERGOLINO P3600

Terrace awning with electric motor

2 systems connected to each other



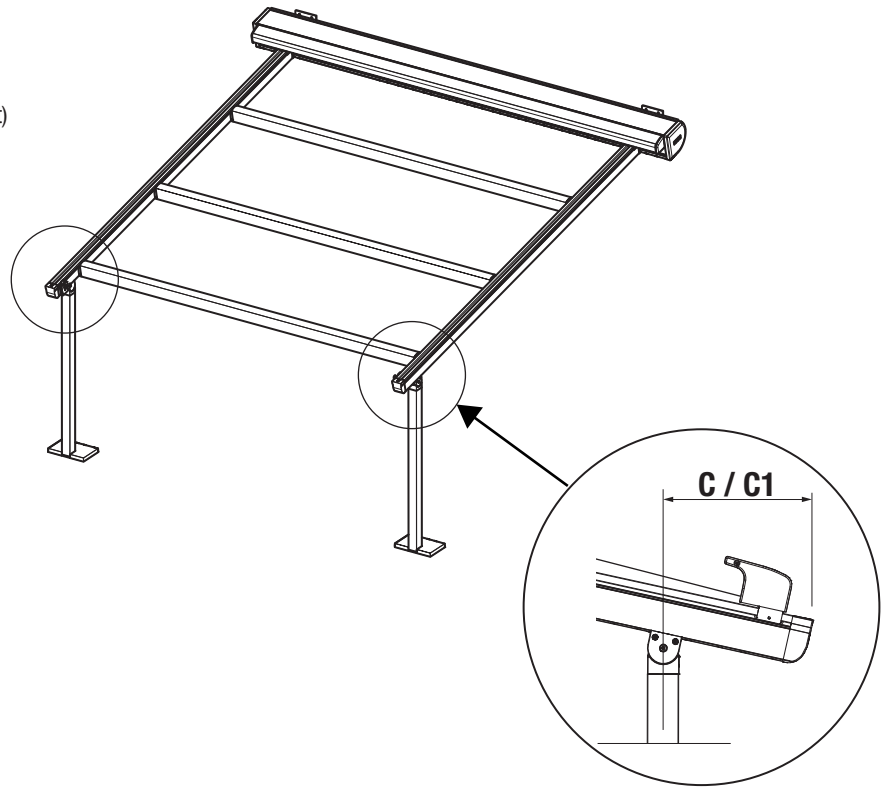
# PERGOLINO P3600

Terrace awning with electric motor

## Lighting options LED strip white or LED spot white

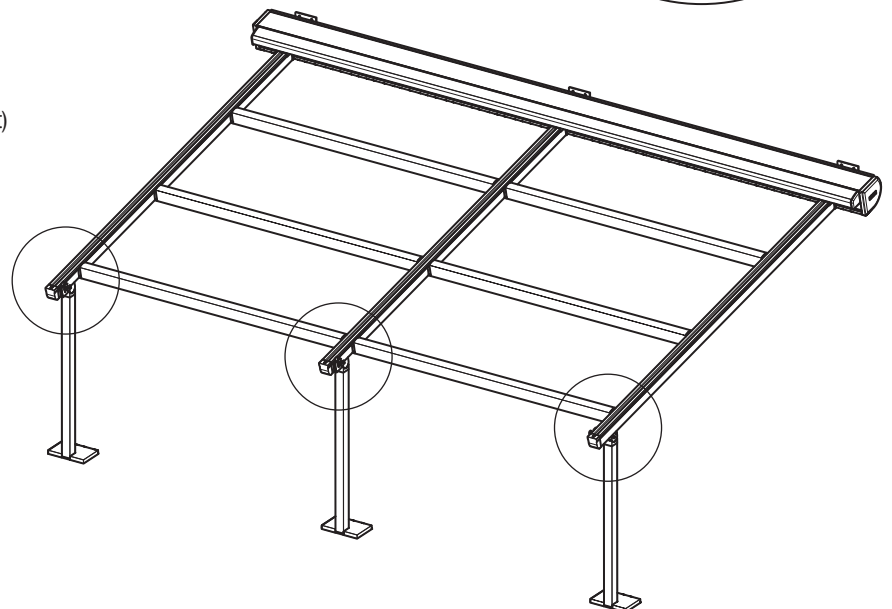
### Lighting of single system:

- on 2 guide rails  
(Overhang C is possible with LED strip  
Overhang C1 is not possible with LED spot)
- up to a maximum of 2 guide rails



### Lighting double system:

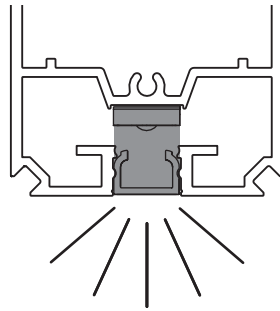
- on 3 guide rails  
(Overhang C is possible with LED strip  
Overhang C1 is not possible with LED spot)
- to maximum 2 fields with 2 guide rails  
(always on one track)



# PERGOLINO P3600

Terrace awning with electric motor

## Lighting for guide rails SLT100 (LED-Stripe)



Lighting at overhang C with stripe possible

## LED-Stripe tunable white SLT115 – SLT155

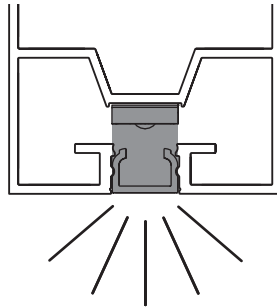
	Overhang E =	200-240	241-290	291-340	341-390	391-440	441-490	491-540	541-590	591-600 cm
	Length LED-Strip =	150	200	250	300	350	400	450	500	550 cm
SLT115	2 x 12W = 24W	12W								
	3 x 12W = 36W	12W								
		12W								
SLT120	2 x 16W = 32W		16W							
	3 x 16W = 48W		16W							
			16W							
SLT125	2 x 20W = 40W			20W						
	3 x 20W = 60W			20W						
				20W						
SLT130	2 x 24W = 48W				24W					
	3 x 24W = 72W				24W					
					24W					
SLT135	2 x 28W = 56W					28W				
	3 x 28W = 84W					28W				
						28W				
SLT140	2 x 32W = 64W						32W			
	3 x 32W = 96W						32W			
							32W			
SLT145	2 x 36W = 72W							36W		
	3 x 36W = 108W							36W		
								36W		
SLT150	2 x 40W = 80W								40W	
	3 x 40W = 120W								40W	
									40W	
SLT155	2 x 44W = 88W									44W
	3 x 44W = 132W									44W
										44W

LED-Stripe tunable white including 600 cm electric wire

# PERGOLINO P3600

Terrace awning with electric motor

## SLT100 guide rail lighting (LED-Stripe)



Lighting on a maximum of 2 guide rails possible

## LED-Stripe tunable white SLT115 – SLT155 (single system)

	Width G1 =	180-219	220-269	270-319	320-369	370-419	420-469	470-519	520-569	570-580 cm
	Length LED-Strip =	150	200	250	300	350	400	450	500	550 cm
SLT115	1 x 12W = 12W	12W								
	2 x 12W = 24W	12W								
SLT120	1 x 16W = 16W		16W							
	2 x 16W = 32W		16W							
SLT125	1 x 20W = 20W			20W						
	2 x 20W = 40W			20W						
SLT130	1 x 24W = 24W				24W					
	2 x 24W = 48W				24W					
SLT135	1 x 28W = 28W					28W				
	2 x 28W = 56W					28W				
SLT140	1 x 32W = 32W						32W			
	2 x 32W = 64W						32W			
SLT145	1 x 36W = 36W							36W		
	2 x 36W = 72W							36W		
SLT150	1 x 40W = 40W								40W	
	2 x 40W = 80W								40W	
SLT155	1 x 44W = 44W									44W
	2 x 44W = 88W									44W

LED-Stripe tunable white including 600 cm electric wire

# PERGOLINO P3600

Terrace awning with electric motor

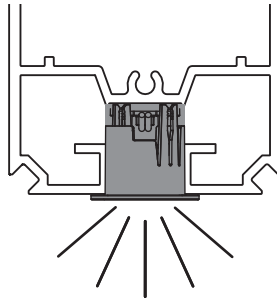
## LED-Stripe Tunable white SLT115 – SLT130 (double system)

		Width G1 / G2 = 180-219	220-269	270-319	320-350 cm
		Length LED-Strip = 150	200	250	300 cm
SLT115	2 x 12W = 24W	G1	LED-Stripe Tunable white including 600 cm electric wire		
		G2			
	4 x 12W = 48W	G1			
		G2			
SLT120	2 x 16W = 32W	G1	LED-Stripe Tunable white including 600 cm electric wire		
		G2			
	4 x 16W = 64W	G1			
		G2			
SLT125	2 x 20W = 40W	G1	LED-Stripe Tunable white including 600 cm electric wire		
		G2			
	4 x 20W = 80W	G1			
		G2			
SLT130	2 x 24W = 48W	G1	LED-Stripe Tunable white including 600 cm electric wire		
		G2			
	4 x 24W = 96W	G1			
		G2			

# PERGOLINO P3600

Terrace awning with electric motor

## Lighting for guide rails SLS100 (spotlight)



Lighting at overhang C with spot not possible

## LED spotlight white SLS101 – SLS103

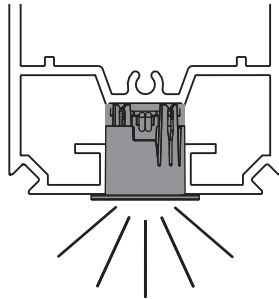
	Overhang E =	200 - 250	251 - 325	326 - 400	401 - 475	476 - 550	551 - 600 cm
SLS101 SLS102 SLS103	2 x 2 x 2W = 8W	●	●				
	3 x 2 x 2W = 12W	●	●				
SLS101 SLS102 SLS103	2 x 3 x 2W = 12W	●	●	●			
	3 x 3 x 2W = 18W	●	●	●			
SLS101 SLS102 SLS103	2 x 4 x 2W = 16W	●	●	●	●		
	3 x 4 x 2W = 24W	●	●	●	●		
SLS101 SLS102 SLS103	2 x 5 x 2W = 20W	●	●	●	●	●	
	3 x 5 x 2W = 30W	●	●	●	●	●	
SLS101 SLS102 SLS103	2 x 6 x 2W = 24W	●	●	●	●	●	●
	3 x 6 x 2W = 36W	●	●	●	●	●	●
SLS101 SLS102 SLS103	2 x 7 x 2W = 28W	●	●	●	●	●	●
	3 x 7 x 2W = 42W	●	●	●	●	●	●

LED spot white

# PERGOLINO P3600

Terrace awning with electric motor

## Lighting guide rail SLS100 (spotlight)



Lighting on a maximum of 2 guide rails possible

## LED spotlight white SLS101 – SLS103 (single system)

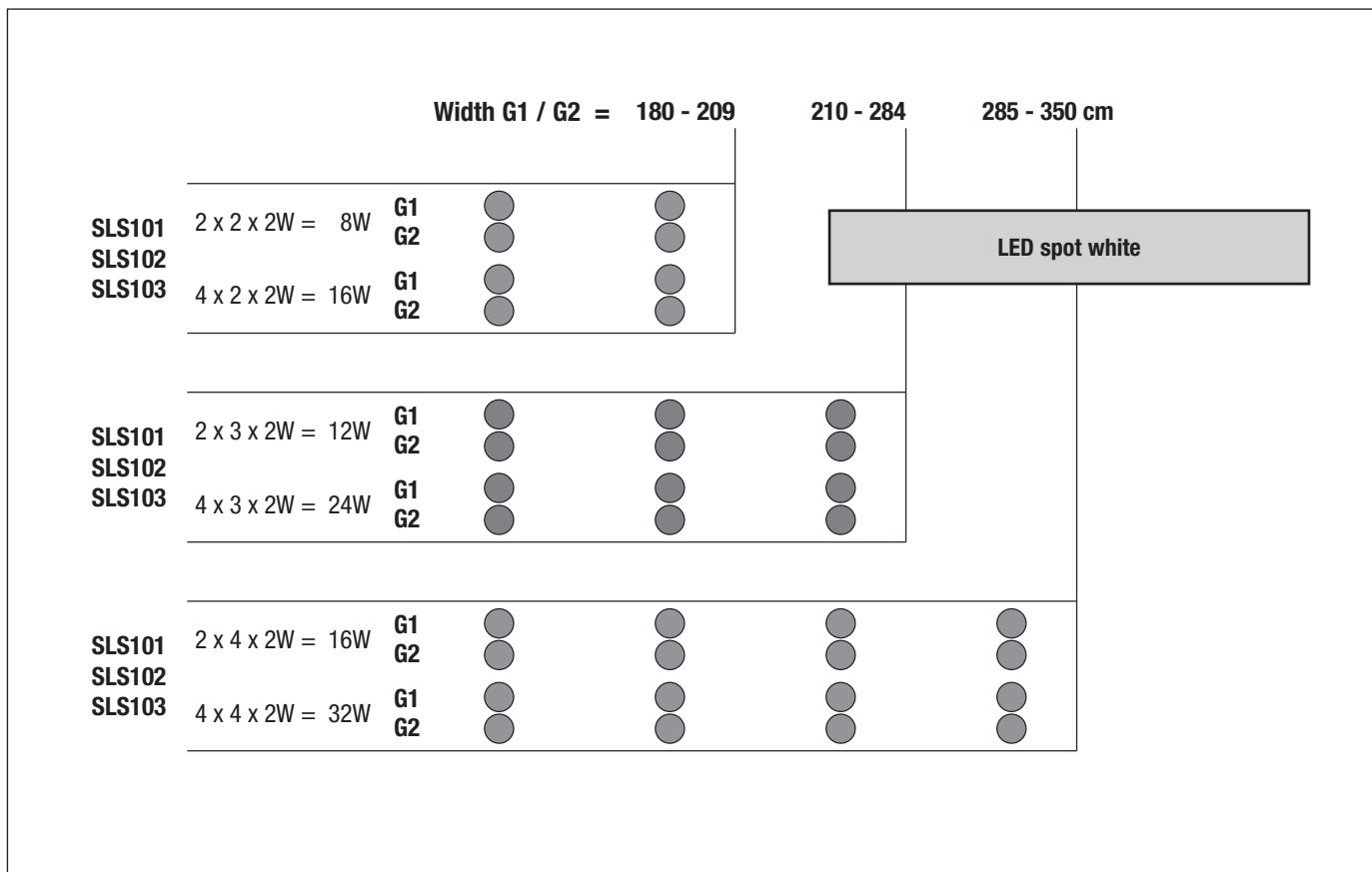
		Width G1 =						
		180 - 209	210 - 284	285 - 359	360 - 434	435 - 509	510 - 580 cm	
SLS101	1 x 2 x 2W = 4W	●	●					LED spot white
SLS102	2 x 2 x 2W = 8W	●	●					
SLS103								
SLS101	1 x 3 x 2W = 6W	●	●	●				
SLS102	2 x 3 x 2W = 12W	●	●	●				
SLS103								
SLS101	1 x 4 x 2W = 8W	●	●	●	●			
SLS102	2 x 4 x 2W = 16W	●	●	●	●			
SLS103								
SLS101	1 x 5 x 2W = 10W	●	●	●	●	●		
SLS102	2 x 5 x 2W = 20W	●	●	●	●	●		
SLS103								
SLS101	1 x 6 x 2W = 12W	●	●	●	●	●	●	
SLS102	2 x 6 x 2W = 24W	●	●	●	●	●	●	
SLS103								
SLS101	1 x 7 x 2W = 14W	●	●	●	●	●	●	●
SLS102	2 x 7 x 2W = 28W	●	●	●	●	●	●	●
SLS103								



# PERGOLINO P3600

Terrace awning with electric motor

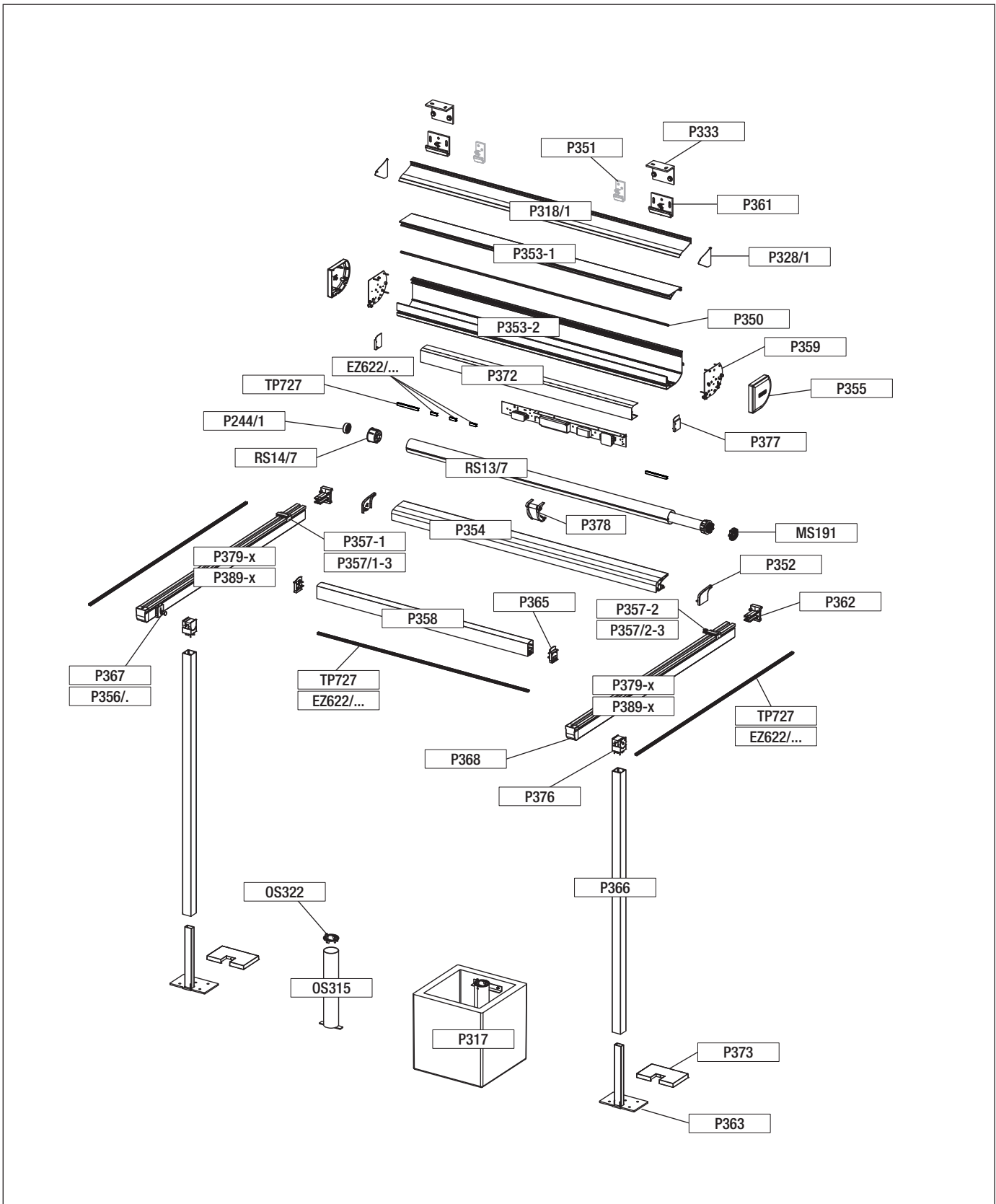
## LED spotlight white SLS101 – SLS103 (double system)



# PERGOLINO P3600

Terrace awning with electric motor

## Exploded view (2 guide rails)



Set:

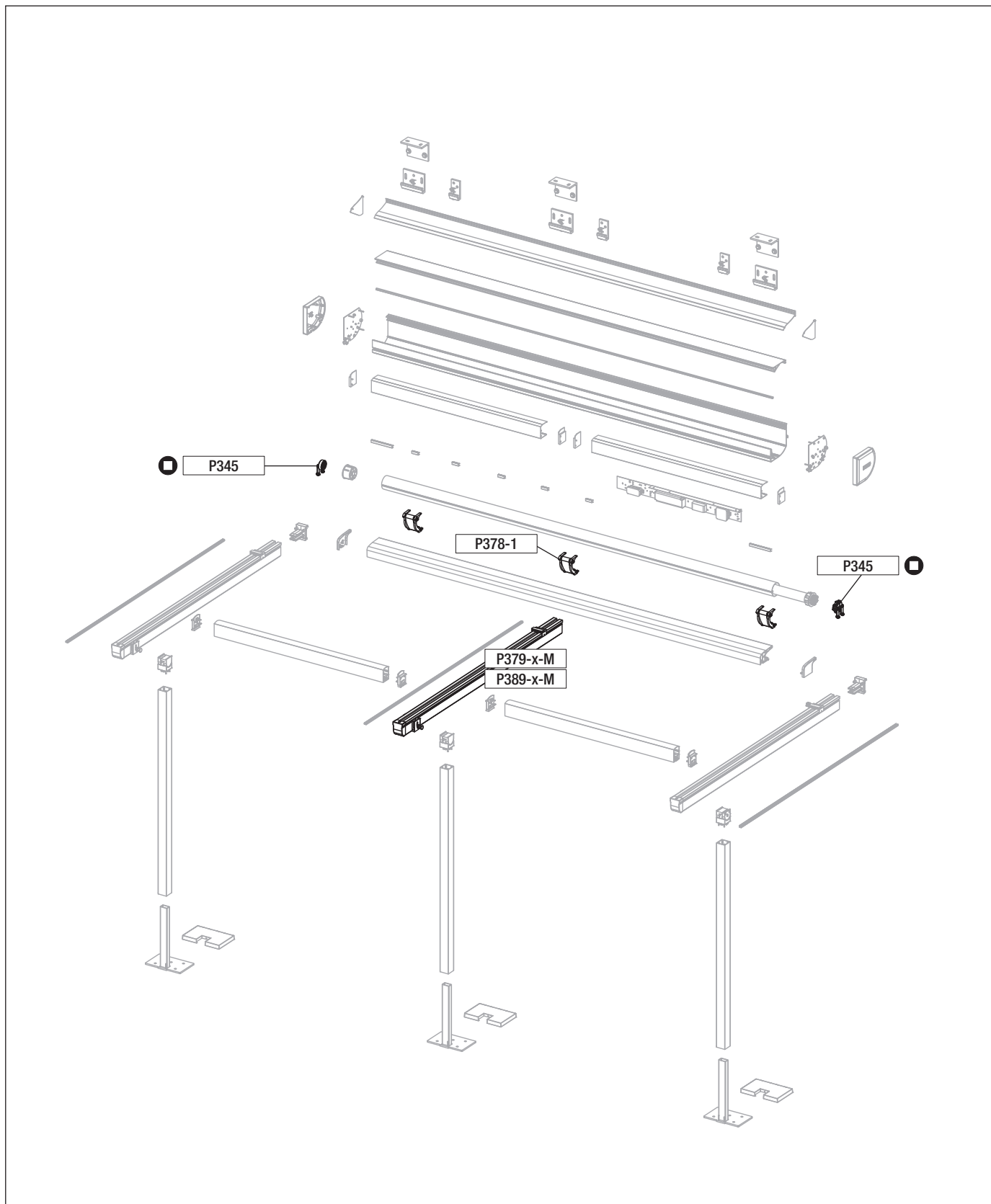
▲ = PS6110/3

P3600

# PERGOLINO P3600

Terrace awning with electric motor

## Exploded view (3 guide rails)



Set:

◻ = P345

P3600/3

# PERGOLINO P3600

Terrace awning with electric motor

## Components list

P244/1		Counter bearing (with 2 guide rails)		pc.
P305		Hook bar complete		pc.
P317		Flower trough with flower trough socket		pc.
P318/1		Wall connection profile		pc.
P328/1	to P318/1	Side cover set (wall connection profile)		pc.
P333	to P361	Ceiling angle		pc.
P345		Self-aligning bearing (with 3 guide rails)		pc.
P350	to P353-2	Brush seal		lm
P351		Box holder narrow		pc.
P352	to P354	Side cover set (Drop-down profile)		pc.
P353-1		Box profile Cover		pc.
P353-2		Box profile Housing		pc.
P354		Drop-down profile		pc.
P355		Side cover set (Protective housing)		pc.
P356/1	left	Automatic locking		pc.
P356/2	right	Automatic locking		pc.
P357-1	left	Guide rotor		pc.
P357/1-3	left	Guide rotor with ramp		pc.
P357-2	right	Guide rotor with fuse		pc.
P357/2-3	right	Guide rotor with ramp and safety device		pc.
P358		Guide tube		pc.
P359		Side plate fitting (Protective housing)		pc.
P361		Box holder Standard		pc.
P362		Guide holder		pc.
P363		Footplate set		pc.
P365		Guide rail holder set		pc.
P366		Support profile		pc.
P367	to P379	Drop-down profile lock		pc.
P368	to P379	End cap set		pc.
P370	to P374	Water channel locking set		pc.
P372		Cover electronics		pc.
P373	to P363	Foot plate cover		pc.
P374		Water channel		pc.
P375		Double support connector set		pc.
P376		Column connectors		pc.
P377	to P372	Side cover set (Cover electronics)		pc.

# PERGOLINO P3600

## Terrace awning with electric motor

<b>P378</b>		Fabric shaft support with retainer		pc.
<b>P379</b> <b>P379-3</b> <b>P379-4</b>		Pair of guide rails (mechanical locking)	151 cm - 230 cm 231 cm - 450 cm 451 cm - 650 cm	pc. pc. pc.
<b>P379-M</b> <b>P379-3-M</b> <b>P379-4-M</b>		Middle guide rail (mechanical locking)	151 cm - 230 cm 231 cm - 450 cm 451 cm - 650 cm	pc. pc. pc.
<b>P389</b> <b>P389-3</b> <b>P389-4</b>		Pair of guide rails (automatic locking)	151 cm - 230 cm 231 cm - 450 cm 451 cm - 650 cm	pc. pc. pc.
<b>P389-M</b> <b>P389-3-M</b> <b>P389-4-M</b>		Middle guide rail (automatic locking)	151 cm - 230 cm 231 cm - 450 cm 451 cm - 650 cm	pc. pc. pc.
<b>OS315</b>		Ground socket (galvanized)		pc.
<b>OS322</b>		Ground socket wedge		pc.
<b>RS13/7</b>		Fabric shaft 85 mm (galvanized)		pc.
<b>RS14/7</b>	to RS13/7	Bearing pin 85 mm round without edge (grey, with 2 guide rails)		pc.
<b>MS191</b>		Engine bearings		pc.
<b>TP727</b>		Interior cover profile		pc.
<b>EZ622/150</b> <b>EZ622/200</b> <b>EZ622/250</b> <b>EZ622/300</b>		LED plastic cover (white)	150 cm 200 cm 250 cm 300 cm	pc. pc. pc. pc.
<b>ECL1304</b>		LED power supply unit io SLT (on/off/dim/reg)	200 W	pc.
<b>SLT115</b> <b>SLT120</b> <b>SLT125</b> <b>SLT130</b> <b>SLT135</b> <b>SLT140</b> <b>SLT145</b> <b>SLT150</b> <b>SLT155</b>		SLT100 LED-Stripe Tunable white including 600 cm electric cable	150 cm 200 cm 250 cm 300 cm 350 cm 400 cm 450 cm 500 cm 550 cm	pc. pc. pc. pc. pc. pc. pc. pc. pc.
<b>ECL1103</b> <b>ECL1303</b>		LED power supply unit 1-10V SL (on/off/dim) LED power supply unit io SL (dim/radio io)	120 W 200 W	pc. pc.
<b>SLS101</b> <b>SLS102</b> <b>SLS103</b>		LED spot warm white LED spot neutral white LED spot cold white	2700 K 3000 K 4000 K	pc. pc. pc.
<b>EZ721</b>		Connection cable LED spot	150 cm	pc.
<b>EZ732</b>		Interconnecting cable LED spot	750 cm	pc.
<b>EZ725</b> <b>EZ726</b> <b>EZ727</b> <b>EZ728</b> <b>EZ730</b> <b>EZ731</b>		Cable kit (distribution cable) LED spot	2 spots 3 spots 4 spots 5 spots 6 spots 7 spots	pc. pc. pc. pc. pc. pc.

# PERGOLINO P3600

Terrace awning with electric motor

P244/1



P333



P353-1



P305



P345



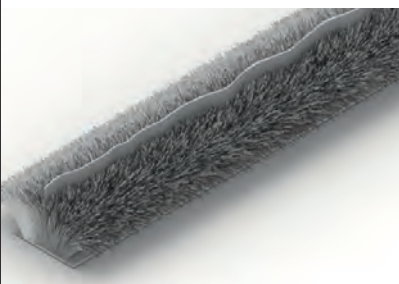
P353-2



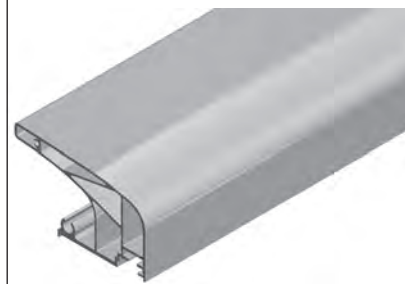
P317



P350



P354



P318/1



P351



P355



P328/1



P352



P356/1



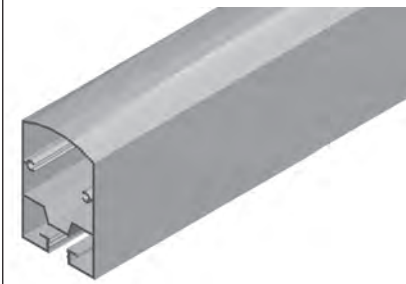
# PERGOLINO P3600

Terrace awning with electric motor

P356/2



P358



P365



P357-1



P359



P366



P357/1-3



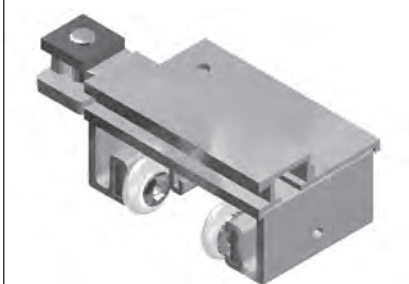
P361



P367



P357-2



P362



P368



P357/2-3



P363



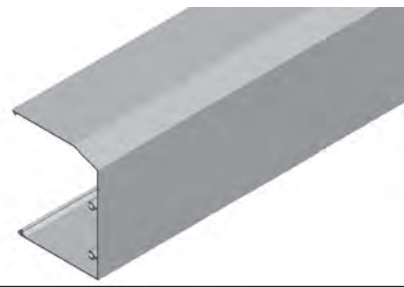
P370



# PERGOLINO P3600

Terrace awning with electric motor

P372



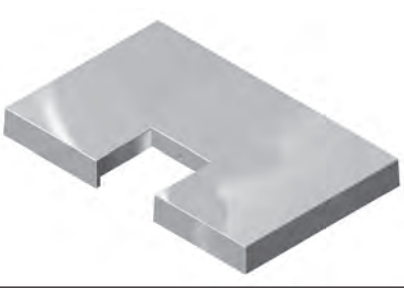
P377



P389-x M



P373



P378



OS315



P374



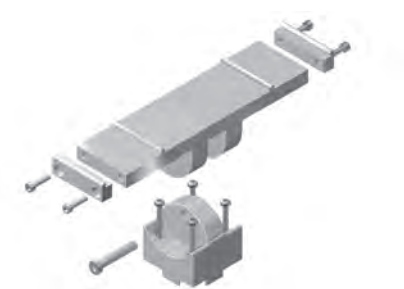
P379-x



OS322-1



P375



P379-x M



RS13/7



P376



P389-x



RS14/7





# PERGOLINO P3600

Terrace awning with electric motor

MS191



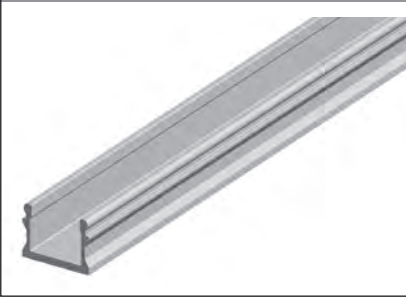
ECL1103



EZ725 – EZ731



TP727



ECL1303



EZ622/...



SLS101 – SLS103



ECL1304



EZ721



SLT115 - SLT155



EZ732

