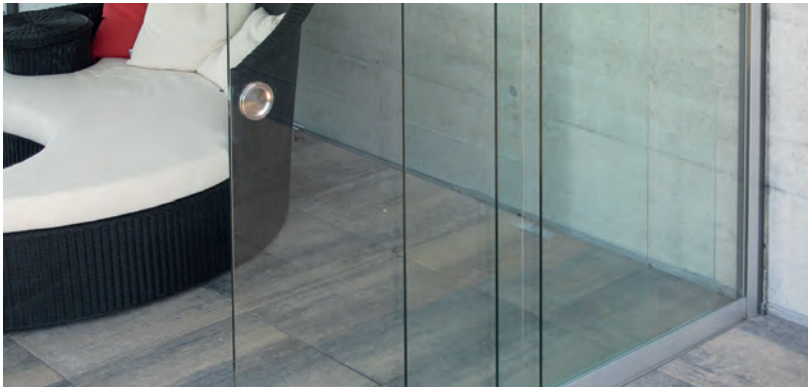




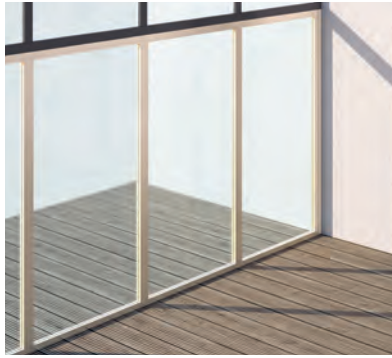
GLAZING SYSTEMS



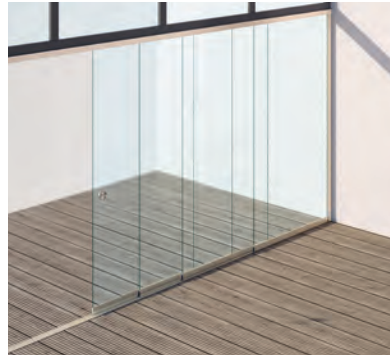
PERGOLA & PAVILLON | GLASS ROOF
SIDE / FRONT GLAZING



GLAZING SYSTEMS SV1051 | SV1020



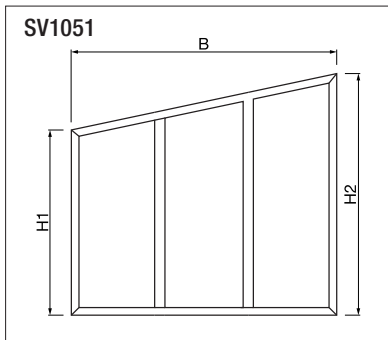
SV1051 Fixed glazing



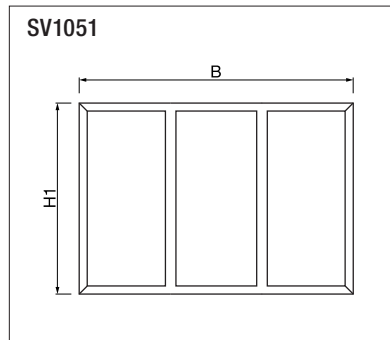
SV1020 Sliding glazing

- Glazing systems from 8 mm laminated safety glass and aluminium profiles (non-insulated)
- Glass is heat-treated to reduce spontaneous fractures (ESG-H)
- Glass can also be ordered with matte-film or satin finish (privacy protection)
- Aluminium frames available in various colour tones
- Optional locking
- Optional tilt joint allows warm air to be discharged
- Retrofitting to systems or existing constructions also possible

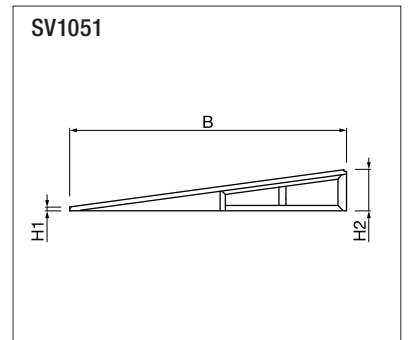
Technical dimensions in millimetres



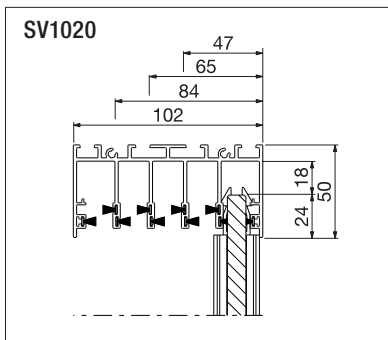
Fixed glazing with slanted roof



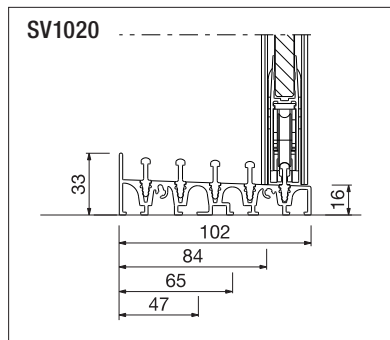
Rectangular fixed glazing



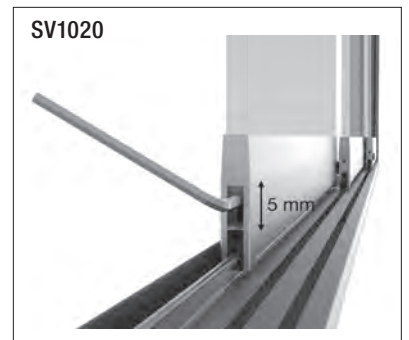
Glass wedge



Ceiling rail standard (2-5-track)



Floor rail standard (2-5-track)



Bottom rail Standard



REGISTRATION
REQUIRED



COLORS

Discover the diverse options when selecting frame colours.

More information at www.stobag.com

